

# STAINLESS STEEL VACUUM FLANGE W/LASER WELDED DOUBLE-ENDED USB

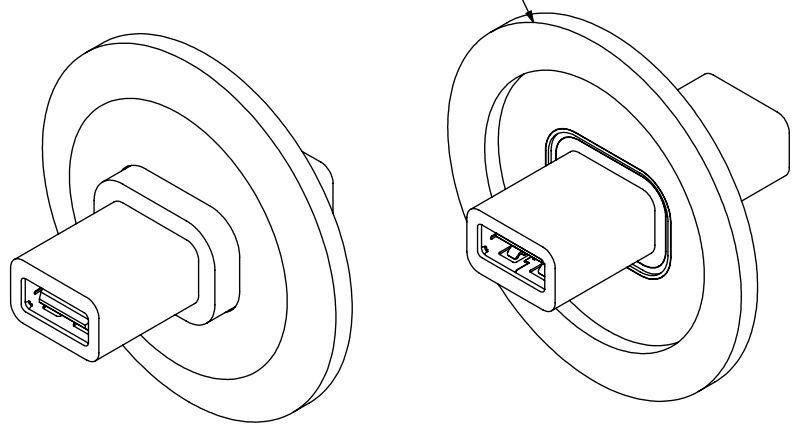
REVISIONS			
REV	CHANGE NO.	DATE	CFG APPROVAL
-	INIT RLSE	2/25/2010	J. PETRI

- DOUBLE-ENDED (STANDARD FEMALE RECEPTACLE/STANDARD FEMALE RECEPTACLE) CONFIGURATION WITH THE WELD INTERFACE AT THE MID-SECTION
- INTERFACES CONFORM TO UNIVERSAL SERIAL BUS SPECIFICATION REVISION 2.0, SERIES A RECEPTACLE.
- INCORPORATES BERYLLIUM-COPPER CONTACTS INDIVIDUALLY SEALED USING CERAMAX® PROPRIETARY CERAMIC TO ESTABLISH A DURABLE HERMETIC SEAL.

1. LEAK RATE: LESS THAN OR EQUAL TO 2X10E-10 CC/SEC He AT ONE ATMOSPHERE DIFFERENTIAL PRESSURE. TEST TO 1X10E-9 CC/SEC He AT ONE ATMOSPHERE DIFFERENTIAL PRESSURE.
2. MATERIALS:  
 CONTACTS: BERYLLIUM-COPPER ALLOY 172/173 IN ACCORDANCE WITH ASTM B196/197.  
 DIELECTRIC: CERAMAX PROPRIETARY CERAMIC.  
 SHELL: STAINLESS STEEL ALLOY 304L IN ACCORDANCE WITH SAE AMS-QQ-S-763.  
 INTERFACE INSULATOR: 30% GLASS FILLED POLYBUTYLENE TEREPHTHALATE, MINIMUM UL94-V0 RATED.  
 VACUUM FLANGE: 304L STAINLESS STEEL
3. FINISH:  
 CONTACTS: NICKEL PLATE PER QQ-N-290, .000100/ .000250 THICK.  
 GOLD PLATE PER ASTM B488-01, TYPE II, CODE C, .000050/ .000100 THICK.  
 SHELL: PASSIVATED PER QQ-P-35.
4. ORDERING INSTRUCTIONS:  
 SPECIFY BASE NUMBER FOLLOWED BY DASH NUMBERS INDICATING FLANGE TYPE:  
 EXAMPLE: SRIVF101-A



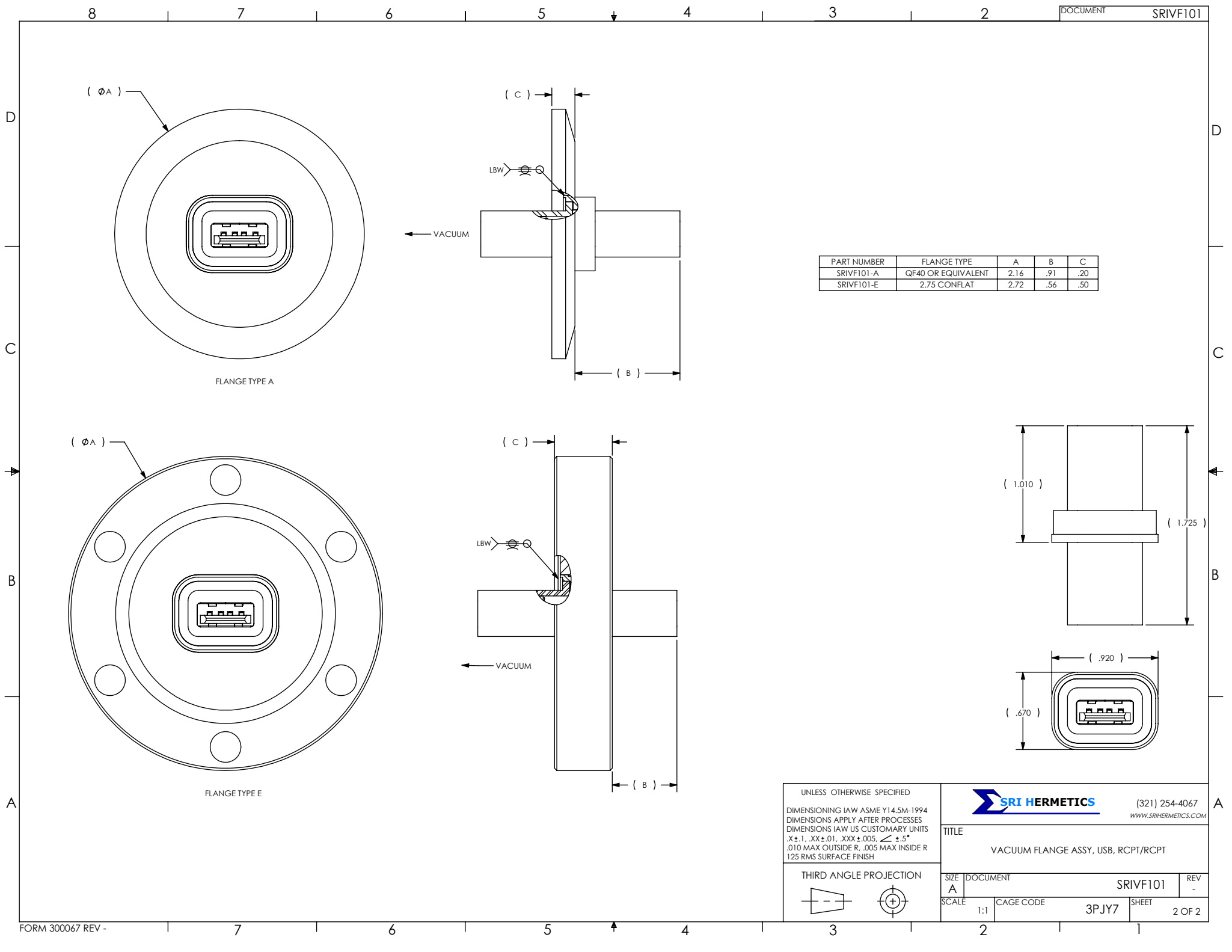
FLANGE SHOWN FOR REFERENCE ONLY  
SEE SHEET 2 FOR FLANGE/CONNECTOR SIZES



UNLESS OTHERWISE SPECIFIED  
 DIMENSIONING IAW ASME Y14.5M-1994  
 DIMENSIONS APPLY AFTER PROCESSES  
 DIMENSIONS IAW US CUSTOMARY UNITS  
 .X ± .1, .XX ± .01, .XXX ± .005, ∠ ± .5°  
 .010 MAX OUTSIDE R, .005 MAX INSIDE R  
 125 RMS SURFACE FINISH

THIRD ANGLE PROJECTION

		(321) 254-4067	
WWW.SRIHERMETICS.COM			
TITLE			
VACUUM FLANGE ASSY, USB, RCPT/RCPT			
SIZE	DOCUMENT	SRIVF101	REV
A			-
SCALE	CAGE CODE	3PJY7	SHEET
1:1			1 OF 2



PART NUMBER	FLANGE TYPE	A	B	C
SRIVF101-A	QF40 OR EQUIVALENT	2.16	.91	.20
SRIVF101-E	2.75 CONFLAT	2.72	.56	.50

UNLESS OTHERWISE SPECIFIED  
 DIMENSIONING IAW ASME Y14.5M-1994  
 DIMENSIONS APPLY AFTER PROCESSES  
 DIMENSIONS IAW US CUSTOMARY UNITS  
 .X ± .1, .XX ± .01, .XXX ± .005, ∠ ± .5°  
 .010 MAX OUTSIDE R, .005 MAX INSIDE R  
 125 RMS SURFACE FINISH

THIRD ANGLE PROJECTION

		(321) 254-4067 WWW.SRIHERMETICS.COM			
				TITLE	
VACUUM FLANGE ASSY, USB, RCPT/RCPT		SIZE	DOCUMENT	SRIVF101	REV
SCALE		1:1	CAGE CODE	3PJY7	SHEET
				2 OF 2	