

# STAINLESS STEEL O-RING PANEL MOUNT SUB-D CONNECTOR PLUG (PIN CONTACTS)

REVISIONS			
REV	CHANGE NO.	DATE	CFG APPROVAL
-	INIT RLSE	9/13/2011	J. PETRI
A	DCN001082	10/22/2012	<i>[Signature]</i>

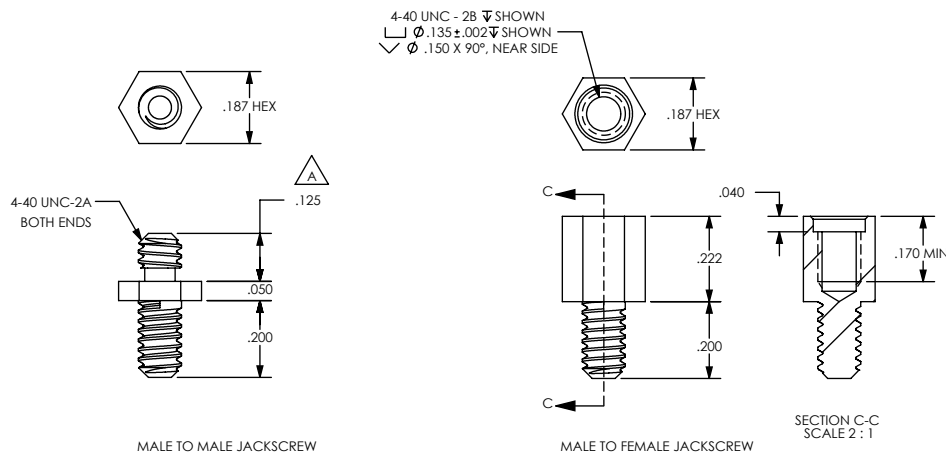
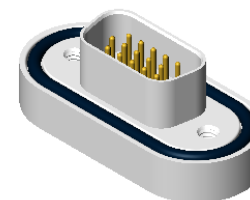
- MALE PLUG CONFIGURATION
- DESIGNED FOR PANEL-MOUNT WITH AN O-RING SEAL
- CONFORMS TO MIL-DTL-24308 AND ARE AVAILABLE IN 104 COUNT CONTACT CONFIGURATIONS (ARRANGEMENT 1) AND 15, 26, 44, 62, AND 78 CONTACT CONFIGURATIONS (ARRANGEMENT 2).
- INCORPORATES BERYLLIUM-COPPER CONTACTS INDIVIDUALLY SEALED USING CERAMAX® PROPRIETARY CERAMIC TO ESTABLISH A DURABLE HERMETIC SEAL.
- MEETS ELECTRICAL PERFORMANCE SPECIFICATIONS OF MIL-DTL-24308

1. LEAK RATE: LESS THAN OR EQUAL TO  $1 \times 10^{-9}$  CC/SEC  $H_0$  AT ONE ATMOSPHERE DIFFERENTIAL PRESSURE.
2. INTERFACE AND MOUNTING HOLES IN ACCORDANCE WITH MIL-DTL-24308/24.
3. MATERIALS:  
 CONTACT: BERYLLIUM-COPPER ALLOY 172/173 IN ACCORDANCE WITH ASTM B196/197.  
 DIELECTRIC: CERAMAX PROPRIETARY CERAMIC.  
 SHELL: STAINLESS STEEL ALLOY 304L IN ACCORDANCE WITH SAE AMS-QQ-S-763.  
 JACKING HARDWARE: 300-SERIES STAINLESS STEEL.  
 O-RING GASKET: FLUOROCARBON RUBBER PER MIL-DTL-25988.
4. FINISH:  
 CONTACTS: NICKEL PLATE PER AMS-QQ-N-290, .000100/ .000250 THICK.  
 GOLD PLATE PER ASTM B488-01, TYPE III, CODE A, .000050/ .000100 THICK.  
 PIN ENDS SN63 SOLDER DIPPED.
- SHELL: PASSIVATE PER AMS 2700.
5. RECOMMENDED INSTALLATION TORQUE FOR JACKING HARDWARE: 3-5 LB-IN.
6. CONNECTOR SUPPLIED WITH O-RING, 2 PIECES MALE/FEMALE AND 2 PIECES MALE/MALE JACKING HARDWARE NOT INSTALLED.
7. ORDERING INSTRUCTIONS:  
 SPECIFY BASE NUMBER FOLLOWED BY DASH NUMBER INDICATING PIN COUNT

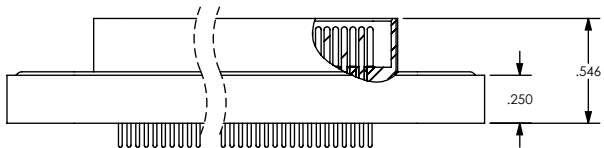
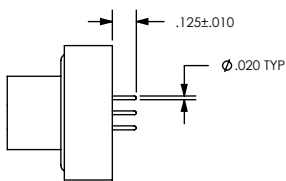
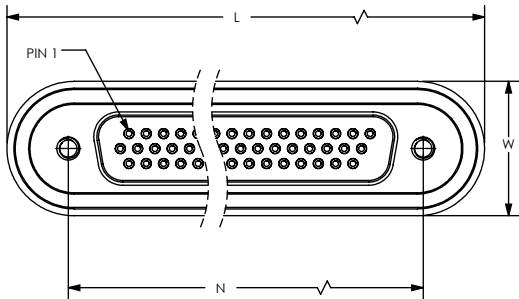
EXAMPLE: SRISD2005 - 26

PIN COUNT = 26 (SEE TAB)

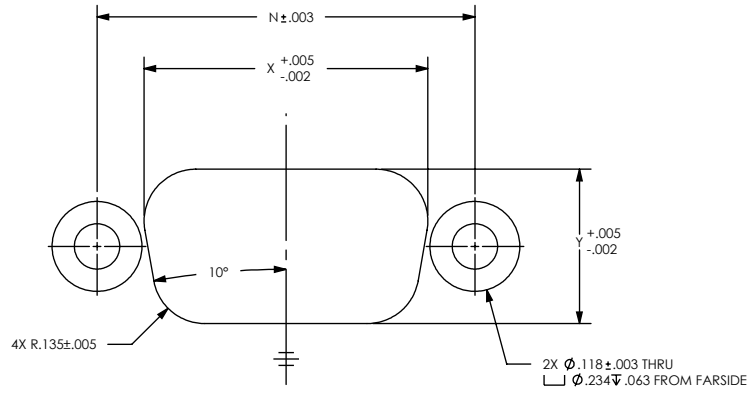
BASE NUMBER



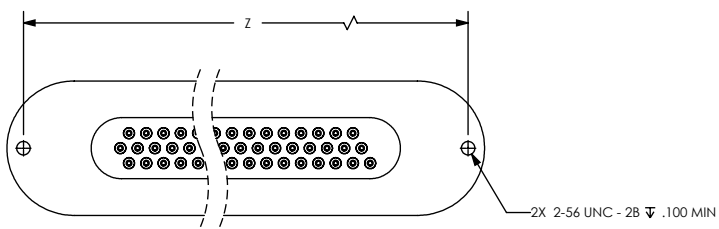
UNLESS OTHERWISE SPECIFIED		(321) 254-4067 WWW.SRIHERMETICS.COM	
DIMENSIONING IAW ASME Y14.5M-1994 DIMENSIONS APPLY AFTER PROCESSES DIMENSIONS IAW US CUSTOMARY UNITS .X ± .1, .XX ± .01, .XXX ± .005, $\angle$ ± .5° .010 MAX OUTSIDE R, .005 MAX INSIDE R 125 RMS SURFACE FINISH		TITLE	
THIRD ANGLE PROJECTION		CONNECTOR, SUB-D, DBL DENSITY, O-RING PANEL MOUNT, PLUG	
SIZE A	DOCUMENT	SRISD2005	REV A
SCALE 1:1	CAGE CODE	3PJY7	SHEET 1 OF 2



VIEW A



PANEL CUTOUT DETAIL



PIN COUNT	MIL-DTL-24308 ARRANGEMENT	CONTACT SIZE	L	W	X	Y	N	Z
15	2	22D (Ø.030)	1.509	0.700	0.739	0.402	0.984	1.338
26	2	22D (Ø.030)	1.803	0.700	1.065	0.402	1.312	1.632
44	2	22D (Ø.030)	2.491	0.700	1.607	0.402	1.852	2.320
62	2	22D (Ø.030)	3.080	0.700	2.255	0.402	2.500	2.909
78	2	22D (Ø.030)	3.016	0.812	2.151	0.514	2.406	2.845
104	1	22D (Ø.030)	3.148	0.924	2.246	0.626	2.500	2.977

UNLESS OTHERWISE SPECIFIED  
 DIMENSIONING IAW ASME Y14.5M-1994  
 DIMENSIONS APPLY AFTER PROCESSES  
 DIMENSIONS IAW US CUSTOMARY UNITS  
 $.X \pm .1, .XX \pm .01, .XXX \pm .005, \angle \pm .5^\circ$   
 $.010$  MAX OUTSIDE R,  $.005$  MAX INSIDE R  
 125 RMS SURFACE FINISH

THIRD ANGLE PROJECTION

**SRI HERMETICS** (321) 254-4067  
 WWW.SRIHERMETICS.COM

TITLE  
 CONNECTOR, SUB-D, DBL DENSITY, O-RING PANEL MOUNT, PLUG

SIZE A	DOCUMENT SRISD2005	REV A
SCALE 1:1	CAGE CODE 3PJY7	SHEET 2 OF 2