


STAINLESS STEEL O-RING PANEL MOUNT SUB-D CONNECTOR RECEPTACLE (SOCKET CONTACTS)

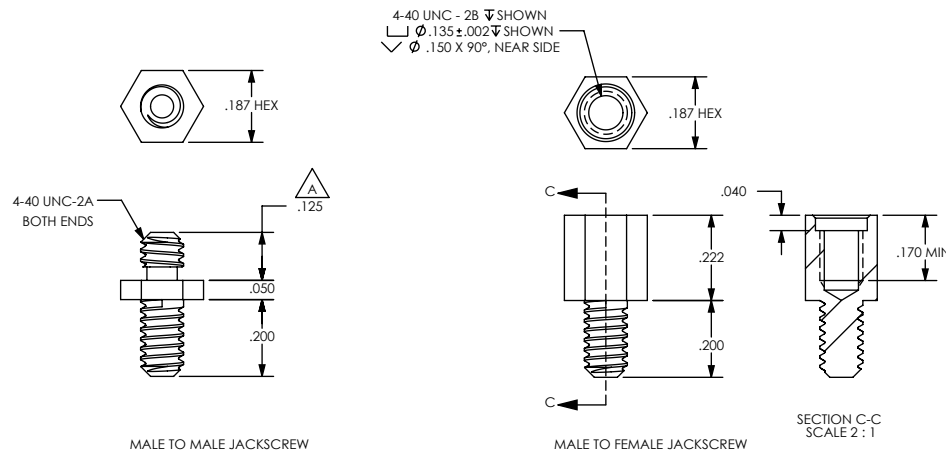
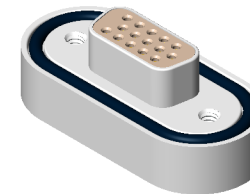
REVISIONS			
REV	DCN	REVISION DATE	RELEASE APPROVAL
-	INIT RLSE	9/13/2011	J. PETRI
A	DCN001082	10/22/2012	J. PETRI
B	DCN001552	5/18/2015	

- FEMALE RECEPTACLE CONFIGURATION
- DESIGNED FOR PANEL-MOUNT WITH AN O-RING SEAL
- CONFORMS TO MIL-DTL-24308 AND ARE AVAILABLE IN 104 COUNT CONTACT CONFIGURATIONS (ARRANGEMENT 1) AND 15, 26, 44, 62, AND 78 CONTACT CONFIGURATIONS (ARRANGEMENT 2).
- INCORPORATES BERYLLIUM-COPPER CONTACTS INDIVIDUALLY SEALED USING CERAMAX® PROPRIETARY CERAMIC TO ESTABLISH A DURABLE HERMETIC SEAL.
- MEETS ELECTRICAL PERFORMANCE SPECIFICATIONS OF MIL-DTL-24308

1. LEAK RATE: LESS THAN OR EQUAL TO 1×10^{-9} CC/SEC He AT ONE ATMOSPHERE DIFFERENTIAL PRESSURE.
2. INTERFACE AND MOUNTING HOLES IN ACCORDANCE WITH MIL-DTL-24308/23.
3. MATERIALS:
 CONTACT: BERYLLIUM-COPPER ALLOY 172/173 IN ACCORDANCE WITH ASTM B196/197.
 DIELECTRIC: CERAMAX PROPRIETARY CERAMIC.
 SHELL: STAINLESS STEEL ALLOY 304L IN ACCORDANCE WITH SAE AMS-QQ-S-763.
 JACKING HARDWARE: 300-SERIES STAINLESS STEEL.
 O-RING GASKET: FLUOROCARBON RUBBER 
4. FINISH:
 CONTACTS: NICKEL PLATE PER AMS-QQ-N-290, .000100/ .000250 THICK.
 GOLD PLATE PER ASTM B488-01, TYPE III, CODE A, .000050/ .000100 THICK.
 PIN ENDS SN63 SOLDER DIPPED.
 SHELL: PASSIVATE PER AMS 2700.
5. RECOMMENDED INSTALLATION TORQUE FOR JACKING HARDWARE: 3-5 LB-IN.
6. CONNECTOR SUPPLIED WITH O-RING, 2 PIECES MALE/FEMALE AND 2 PIECES MALE/MALE JACKING HARDWARE, NOT INSTALLED.
7. ORDERING INSTRUCTIONS:
 SPECIFY BASE NUMBER FOLLOWED BY DASH NUMBER INDICATING PIN COUNT

EXAMPLE: SRISD2004 - 26

PIN COUNT = 26 (SEE TAB)
 BASE NUMBER



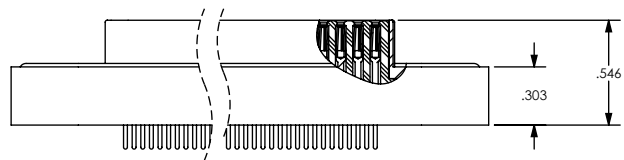
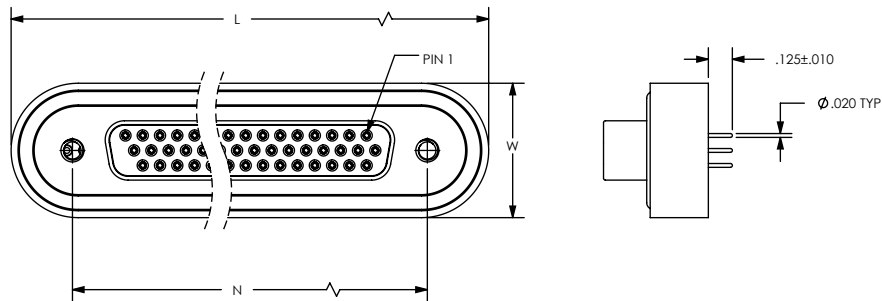
DIMENSIONING IAW ASME Y14.5M-1994
 DIMENSIONS APPLY AFTER PROCESSES
 DIMENSIONS IAW US CUSTOMARY UNITS
 X \pm .1, XX \pm .01, XXX \pm .005, \angle \pm 5°
 .010 MAX OUTSIDE R, .005 MAX INSIDE R
 63 RMS SURFACE FINISH
 THIRD ANGLE PROJECTION



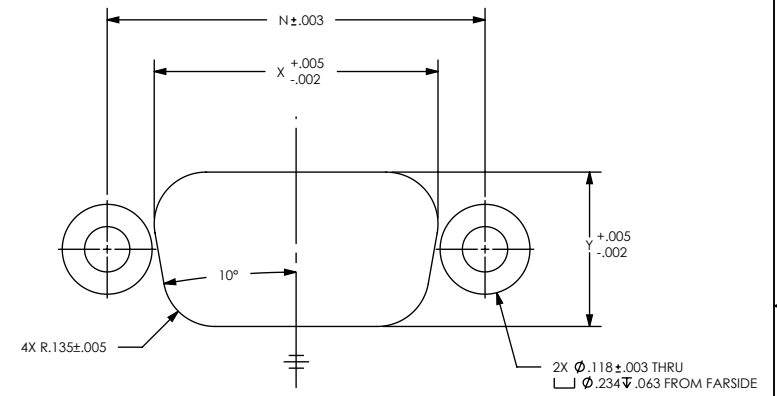
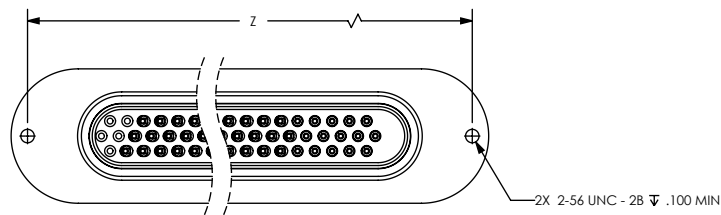
(321) 254-4067
 www.srihermetics.com

TITLE CONNECTOR, SUB-D, DBL DENSITY, O-RING PANEL MOUNT, RCPT			
SIZE A	DOCUMENT SRISD2004	REV B	
SCALE 1:1	CAGE CODE 3PJY7	SHEET 1 OF 2	

DO NOT SCALE DRAWING



VIEW A



PANEL CUTOUT DETAIL

PIN COUNT	MIL-DTL-24308 ARRANGEMENT	CONTACT SIZE	L	W	X	Y	N	Z
15	2	22D (Ø.030)	1.509	0.700	0.739	0.402	0.984	1.338
26	2	22D (Ø.030)	1.803	0.700	1.065	0.402	1.312	1.632
44	2	22D (Ø.030)	2.491	0.700	1.607	0.402	1.852	2.320
62	2	22D (Ø.030)	3.080	0.700	2.255	0.402	2.500	2.909
78	2	22D (Ø.030)	3.016	0.812	2.151	0.514	2.406	2.845
104	1	22D (Ø.030)	3.148	0.924	2.246	0.626	2.500	2.977

DIMENSIONING LAW ASME Y14.5M-1994
 DIMENSIONS APPLY AFTER PROCESSES
 DIMENSIONS LAW US CUSTOMARY UNITS
 X±.1, .XX±.01, .XXX±.005, ∠ ±.5°
 .010 MAX OUTSIDE R, .005 MAX INSIDE R
 63 RMS SURFACE FINISH



DO NOT SCALE DRAWING



(321) 254-4067
 www.srihermetics.com

TITLE
 CONNECTOR, SUB-D, DBL DENSITY, O-RING PANEL MOUNT, RCPT

SIZE DOCUMENT SRISD2004 REV B

SCALE 1:1 CAGE CODE 3PJY7 SHEET 2 OF 2