

REVISIONS			
REV	CHANGE NO.	DATE	CFG APPROVAL
-	INIT RLSE	10/17/2011	J. PETRI

# STAINLESS STEEL COMPATIBLE LASER WELDABLE DOUBLE-ENDED 37-PIN CIRCULAR HEADER

- CONFIGURATION WITH THE WELD LIP LOCATED AT THE TOP OF THE CONNECTOR
- DESIGNED TO LASER WELD INTO AN ELECTRONIC CHASSIS WALL
- INCORPORATES BERYLLIUM-COPPER CONTACTS INDIVIDUALLY SEALED USING CERAMAX® PROPRIETARY CERAMIC TO ESTABLISH A DURABLE HERMETIC SEAL.

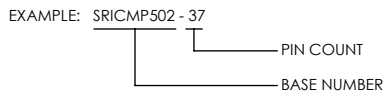
1. LEAK RATE: LESS THAN OR EQUAL TO 2X10E-10 CC/SEC He AT ONE ATMOSPHERE DIFFERENTIAL PRESSURE.  
TEST TO 1X10E-9 CC/SEC He AT ONE ATMOSPHERE DIFFERENTIAL PRESSURE.

2. MATERIALS:  
CONTACT: BERYLLIUM-COPPER ALLOY 172/173 IN ACCORDANCE WITH ASTM B196/197.  
INSULATOR: CERAMAX PROPRIETARY CERAMIC.  
WELD FLANGE: STAINLESS STEEL ALLOY 304L IN ACCORDANCE WITH SAE AMS-QQ-S-763.

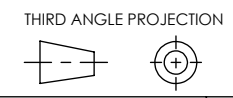
3. FINISH:  
CONTACTS: NICKEL PLATE PER QQ-N-290, CLASS 1, .000100 / .000250 THICK.  
GOLD PLATE PER ASTM B488-01, TYPE II, CODE C, .000050 / .000100 THICK.  
PLATE ENTIRE EXPOSED PIN, BOTH ENDS.  
SHELL: NONE.

4. OPERATING CHARACTERISTICS:  
TEMPERATURE: -65 °C TO 300 °C  
VOLTAGE: 750 AC RMS  
CURRENT: 7 AMPS

5. ORDERING INSTRUCTIONS:  
SPECIFY BASE NUMBER FOLLOWED BY DASH NUMBERS INDICATING PIN COUNT:

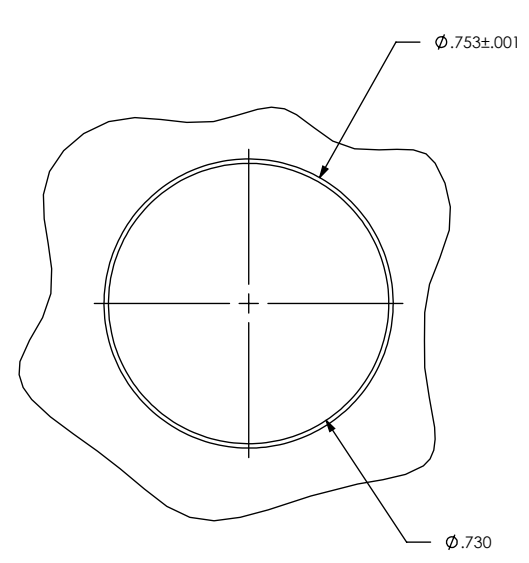
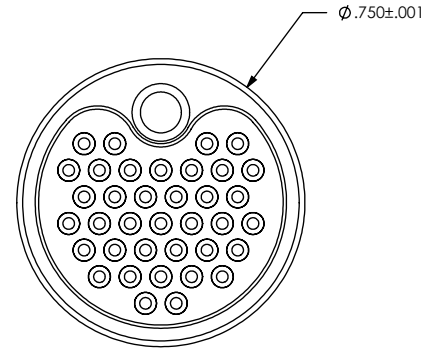
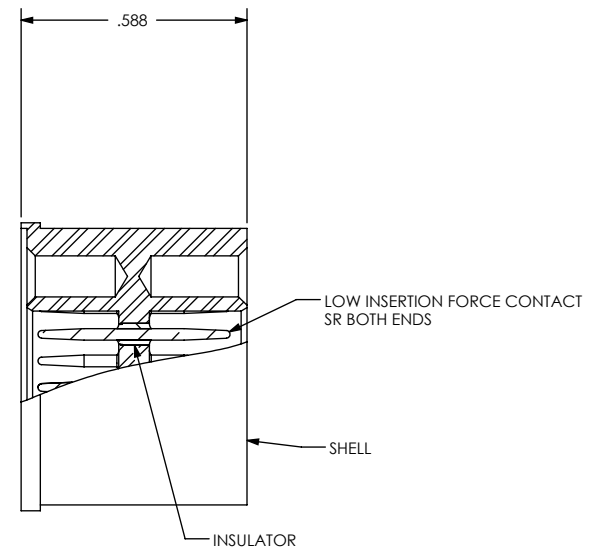
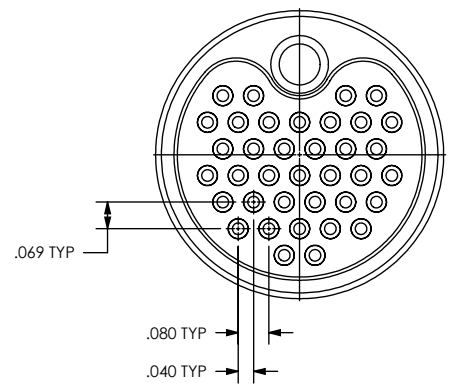


UNLESS OTHERWISE SPECIFIED  
DIMENSIONING IAW ASME Y14.5M-1994  
DIMENSIONS APPLY AFTER PROCESSES  
DIMENSIONS IAW US CUSTOMARY UNITS  
X ± .1, .XX ± .01, .XXX ± .005, ∠ ± .5°  
.010 MAX OUTSIDE R, .005 MAX INSIDE R  
125 RMS SURFACE FINISH

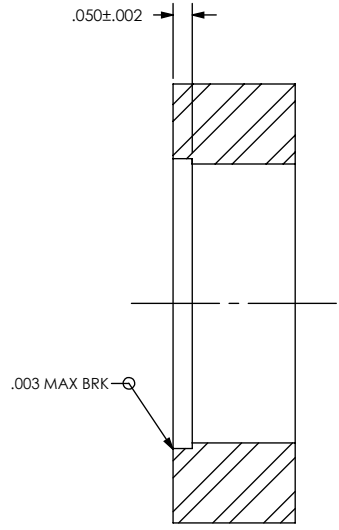


**SRI HERMETICS** (321) 254-4067  
WWW.SRIHERMETICS.COM

TITLE			
CONNECTOR, SUB-C, PLUG/PLUG, SC LBW			
SIZE	DOCUMENT	SRISC506	REV
A			-
SCALE	CAGE CODE	3PJY7	SHEET
2:1			1 OF 2



SUGGESTED HOLE DETAIL



UNLESS OTHERWISE SPECIFIED  
 DIMENSIONING IAW ASME Y14.5M-1994  
 DIMENSIONS APPLY AFTER PROCESSES  
 DIMENSIONS IAW US CUSTOMARY UNITS  
 .X ± .1, .XX ± .01, .XXX ± .005,  $\angle \pm .5^\circ$   
 .010 MAX OUTSIDE R, .005 MAX INSIDE R  
 125 RMS SURFACE FINISH

THIRD ANGLE PROJECTION

		(321) 254-4067 WWW.SRIHERMETICS.COM	
TITLE			
CONNECTOR, SUB-C, PLUG/PLUG, SC LBW			
SIZE	DOCUMENT	SRISC506	REV
A			-
SCALE	CAGE CODE	3PJY7	SHEET
2:1			2 OF 2