

REVISIONS			
REV	CHANGE NO.	DATE	CFG APPROVAL
-	INIT RLSE	2007-06-15	J. PETRI

STAINLESS STEEL COMPATIBLE LASER WELDABLE DOUBLE-ENDED CIRCULAR HEADER

- CONFIGURATION WITH THE WELD LIP LOCATED AT THE TOP OF THE CONNECTOR
- DESIGNED TO LASER WELD INTO AN ELECTRONIC CHASSIS WALL
- INCORPORATES BERYLLIUM-COPPER CONTACTS INDIVIDUALLY SEALED USING CERAMAX® PROPRIETARY CERAMIC TO ESTABLISH A DURABLE HERMETIC SEAL.

1. LEAK RATE: LESS THAN OR EQUAL TO 2X10E-10 CC/SEC He AT ONE ATMOSPHERE DIFFERENTIAL PRESSURE.
TEST TO 1X10E-9 CC/SEC He AT ONE ATMOSPHERE DIFFERENTIAL PRESSURE.

2. MATERIALS:
CONTACT: BERYLLIUM-COPPER ALLOY 172/173 IN ACCORDANCE WITH ASTM B196/197.
INSULATOR: CERAMAX PROPRIETARY CERAMIC.
WELD FLANGE: STAINLESS STEEL ALLOY 304L IN ACCORDANCE WITH SAE AMS-QQ-S-763.

3. FINISH:
CONTACTS: NICKEL PLATE PER QQ-N-290, CLASS 1, .000100 / .000250 THICK.
GOLD PLATE PER ASTM B488-01, TYPE II, CODE C, .000050 / .000100 THICK.
PLATE ENTIRE EXPOSED PIN, BOTH ENDS.

SHELL: PASSIVATED PER QQ-P-35.

OTHER FINISH REQUIREMENTS:

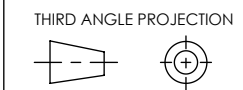
4. SPECIAL TEST REQUIREMENTS:

6. ORDERING INSTRUCTIONS:

SPECIFY PART NUMBER SRISC503 - 1



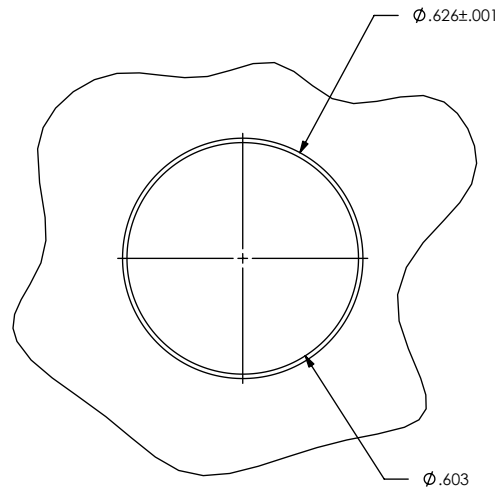
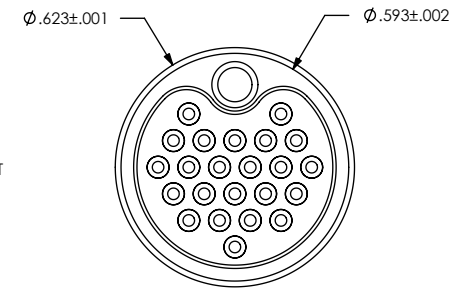
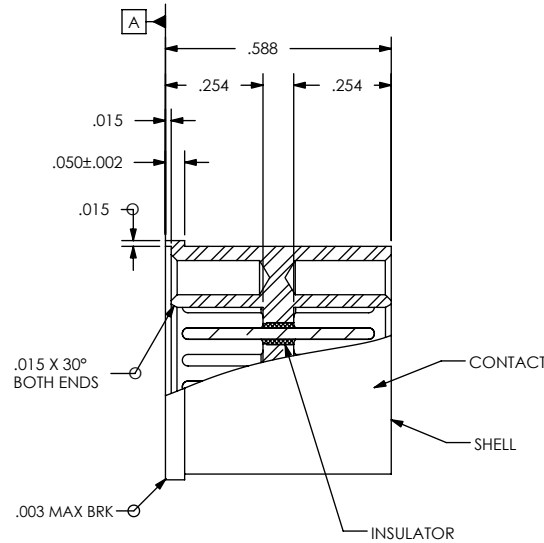
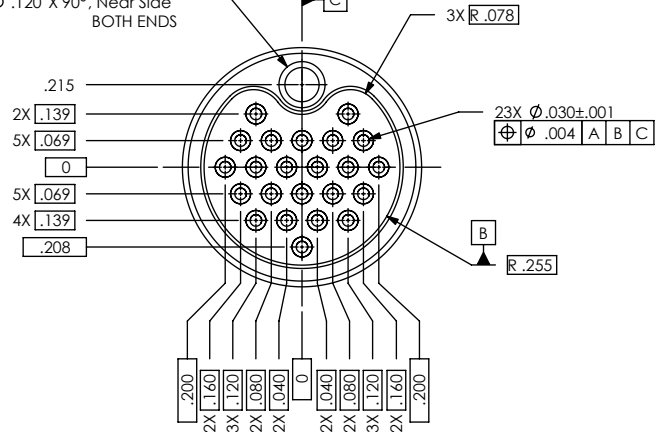
UNLESS OTHERWISE SPECIFIED
DIMENSIONING IAW ASME Y14.5M-1994
DIMENSIONS APPLY AFTER PROCESSES
DIMENSIONS IAW US CUSTOMARY UNITS
X ± .1, .XX ± .01, .XXX ± .005, ∠ ± .5°
.010 MAX OUTSIDE R, .005 MAX INSIDE R
125 RMS SURFACE FINISH



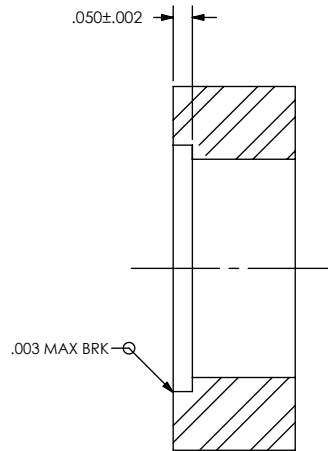
SRI HERMETICS (321) 254-4067
WWW.SRIHERMETICS.COM

TITLE			
CONNECTOR, SUB-C, DOUBLE DENSITY RCPT/RCPT, SC LBW			
SIZE	DOCUMENT	SRISC503	REV
A			-
SCALE	CAGE CODE	3PJY7	SHEET
2:1			1 OF 2

TAP DRILL ∇ .230 MAX
 4-40 UNC - 2B ∇ .155 MIN
 \surd ϕ .120 X 90°, Near Side
 BOTH ENDS



HOLE DETAIL



UNLESS OTHERWISE SPECIFIED
 DIMENSIONING IAW ASME Y14.5M-1994
 DIMENSIONS APPLY AFTER PROCESSES
 DIMENSIONS IAW US CUSTOMARY UNITS
 .X \pm .1, .XX \pm .01, .XXX \pm .005, \sphericalangle \pm .5°
 .010 MAX OUTSIDE R, .005 MAX INSIDE R
 125 RMS SURFACE FINISH

THIRD ANGLE PROJECTION

		(321) 254-4067 WWW.SRIHERMETICS.COM	
CONNECTOR, SUB-C, DOUBLE DENSITY RCPT/RCPT, SC LBW			
SIZE	DOCUMENT	SRISC503	REV
A			-
SCALE	CAGE CODE	3PJY7	SHEET
2:1			2 OF 2