

# SRISC208 HI-VAC NONHERMETIC WIRED PLUG 60-SOCKET SUB-C CONNECTOR

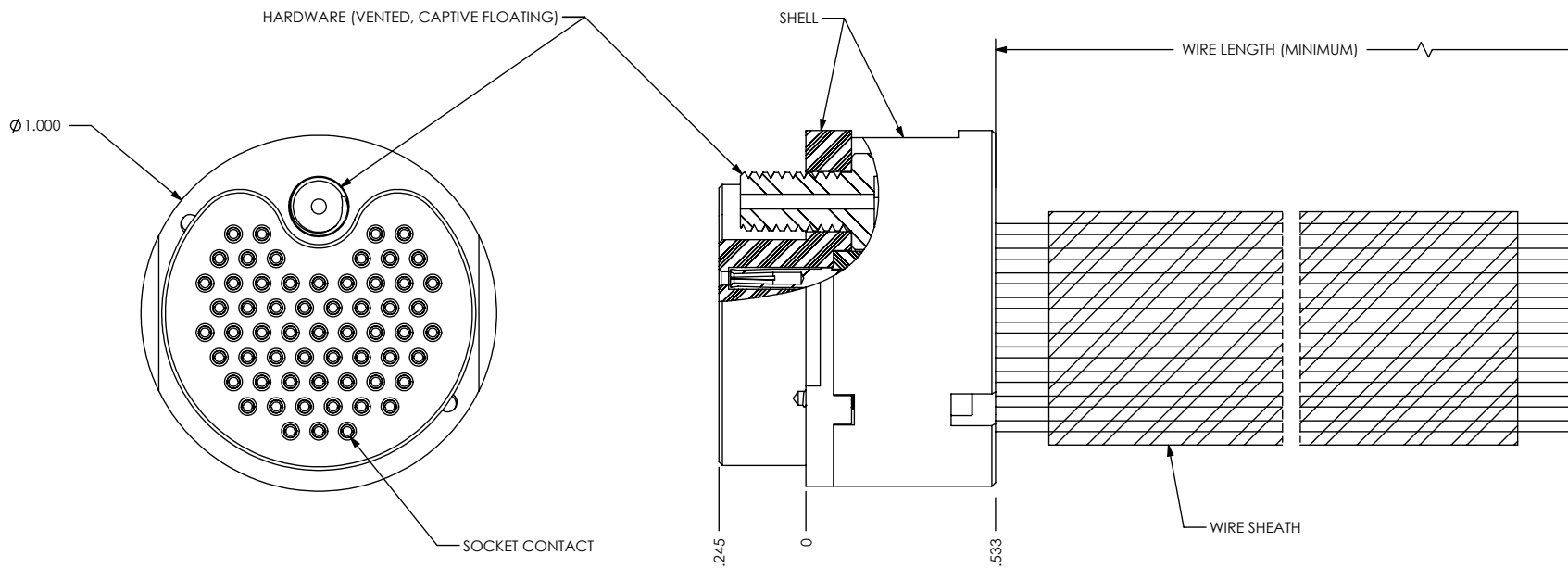
REVISIONS			
REV	DCN	REV DATE	RELEASE APPROVAL
-	INIT RLSE	10/17/2011	J. PETRI

1. MATES WITH HERMETIC SUB-C FEEDTHROUGH SRICMP503.
2. MATERIALS:
  - a. SHELL AND WIRE SHEATH: POLYETHERETHERKETONE (PEEK)
  - b. CONTACT: COPPER ALLOY, NICKEL AND GOLD PLATED
  - c. HARDWARE: STAINLESS STEEL
  - d. WIRES: 28 AWG, KAPTON INSULATED
3. ORDERING INSTRUCTIONS:  
SPECIFY BASE NUMBER FOLLOWED BY DASH NUMBERS INDICATING PIN COUNT AND CABLE LENGTH:

EXAMPLE: SRISC208 - 12

└─── CABLE LENGTH= 12 INCHES (SPECIFY IN ONE INCH INCREMENTS)

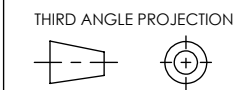
└─── BASE NUMBER



UNLESS OTHERWISE SPECIFIED  
 DIMENSIONING IAW ASME Y14.5M-1994  
 DIMENSIONS APPLY AFTER PROCESSES  
 DIMENSIONS IAW US CUSTOMARY UNITS  
 .X ± .1, .XX ± .01, .XXX ± .005, ∠ ± .5°  
 .010 MAX OUTSIDE R, .005 MAX INSIDE R  
 125 RMS SURFACE FINISH



(321) 254-4067  
 WWW.SRIHERMETICS.COM



TITLE			
CONNECTOR, SUB-C, HI-VAC NONHERMETIC PLUG (WIRED)			
SIZE	DOCUMENT	SRISC208	REV
A			-
SCALE	CAGE CODE	3PJY7	SHEET
2:1			1 OF 1