

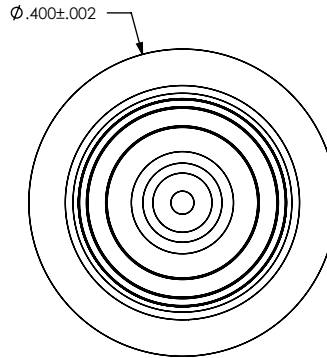
STAINLESS STEEL COMPATIBLE FLANGE MOUNT HIGH VOLTAGE FEEDTHROUGH, SRIPW SERIES, .030 DIAMETER CENTER CONTACT

- DESIGNED TO LASER WELD INTO AN ELECTRONIC CHASSIS WALL.
- MATES WITH CONNECTRONICS CORP. CPW SERIES PLUGS.

REVISIONS			
REV	CHANGE NO.	DATE	CFG APPROVAL
-	INIT RLSE	8/1/2010	J. PETRI
A	DCN000835	6/13/2011	J. PETRI
B	DCN001023	5/25/2012	J. PETRI
C	DCN001417	9/3/2014	<i>[Signature]</i>

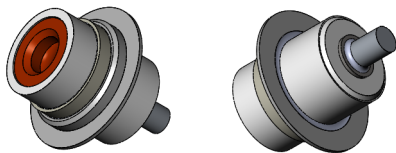
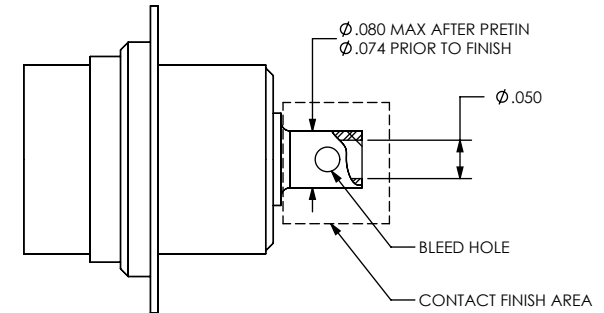
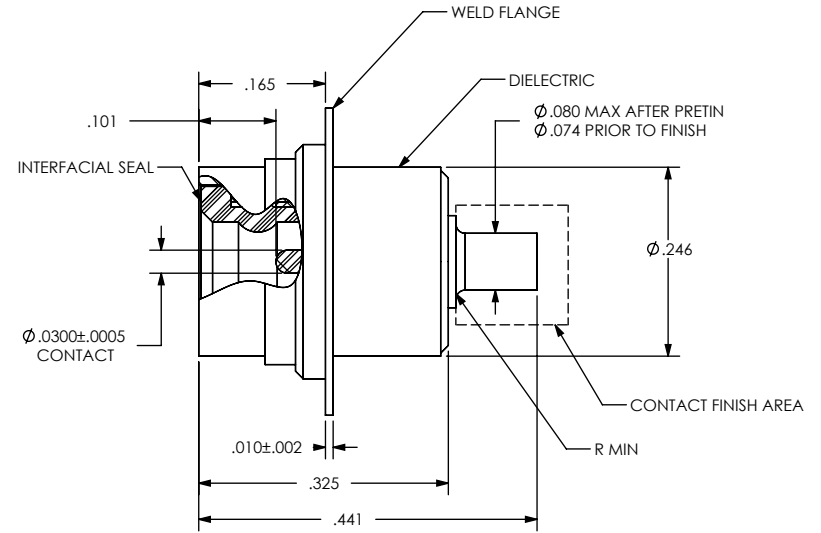
1. LEAK RATE: LESS THAN OR EQUAL TO 1X10E-9 CC/SEC He AT ONE ATMOSPHERE DIFFERENTIAL PRESSURE.
2. OPERATING PARAMETERS:
VOLTAGE: 12 KVDC, 18 KVDC AT 70,000 FEET (SIMULATED ALTITUDE).
TEMPERATURE: -55°C TO +125°C
3. MATERIALS:
CONTACT: 17-4PH STAINLESS STEEL IN ACCORDANCE WITH ASTM A564 TYPE 630.
DIELECTRIC: ALUMINUM OXIDE
WELD FLANGE: 17-4PH STAINLESS STEEL IN ACCORDANCE WITH ASTM A564 TYPE 630.
INTERFACIAL SEAL: 50 DUROMETER SILICONE RUBBER PER A-A-59588, CLASS 1B.
ADHESIVE: RTV 3145
4. FINISH:
CONTACT AREA INDICATED:
A) PRETIN USING SN63PB37 IN ACCORDANCE WITH J-STD-001.
B) NICKEL PLATE PER QQ-N-290, .000100/.000250 THICK
GOLD PLATE PER ASTM B488, TYPE III, CODE A, .000050/.000100 THICK.
5. ORDERING INSTRUCTIONS:
SPECIFY PART NUMBER SEE TABLE

PART NUMBER	PIN END TYPE	CONTACT FINISH (AREA INDICATED)	INTERFACIAL SEAL INSTALLED WITH ADHESIVE
SRIPW101-1	SOLID	SEE NOTE 4A	NO
SRIPW101-2	BORED	SEE NOTE 4A	NO
SRIPW101-3	SOLID	SEE NOTE 4A	YES
SRIPW101-4	BORED	SEE NOTE 4A	YES
SRIPW101-5	SOLID	SEE NOTE 4B	NO
SRIPW101-6	BORED	SEE NOTE 4B	NO
SRIPW101-7	SOLID	SEE NOTE 4B	YES
SRIPW101-8	BORED	SEE NOTE 4B	YES
SRIPW101-9	SOLID	NONE	NO
SRIPW101-10	BORED	NONE	NO
SRIPW101-11	SOLID	NONE	YES
SRIPW101-12	BORED	NONE	YES



SOLID PIN END

BORED PIN END



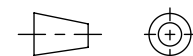
UNLESS OTHERWISE SPECIFIED
 DIMENSIONING IAW ASME Y14.5M-1994
 DIMENSIONS APPLY AFTER PROCESSES
 DIMENSIONS IAW US CUSTOMARY UNITS
 .X ±.1, .XX ±.01, .XXX ±.005, ∠ ±.5°
 .010 MAX OUTSIDE R, .005 MAX INSIDE R
 125 RMS SURFACE FINISH



(321) 254-4067
 WWW.SRIHERMETICS.COM

TITLE FEEDTHROUGH, HIGH VOLTAGE

THIRD ANGLE PROJECTION



SIZE	DOCUMENT	SRIPW101	REV
A			C
SCALE	CAGE CODE	3PJY7	SHEET
4:1			1 OF 1