

# ALUMINUM COMPATIBLE LASER WELDABLE NANO DUAL LOBE CONNECTOR

REVISIONS			
REV	CHANGE NO.	DATE	APPROVED
-	INIT RLSE	9/27/2010	J. PETRI

- CONFIGURATION WITH THE FLANGE LOCATED AT THE TOP OF THE CONNECTOR
- DESIGNED TO LASER WELD INTO A LOW-PROFILE ELECTRONIC CHASSIS WALL
- CONFORMS TO MIL-DTL-32139 AND ARE AVAILABLE IN 9, 15, 21, 25, 31, 37 AND 51 COUNT PIN/SOCKET CONFIGURATIONS.
- INCORPORATES BERYLLIUM-COPPER PIN/SOCKETS INDIVIDUALLY SEALED USING CERAMAX® PROPRIETARY CERAMIC TO ESTABLISH A DURABLE HERMETIC SEAL.

1. LEAK RATE: LESS THAN OR EQUAL TO 1X10E-9 CC/SEC He AT ONE ATMOSPHERE DIFFERENTIAL PRESSURE.
2. INTERFACE AND MOUNTING HOLES IN ACCORDANCE WITH MIL-DTL-32139/4.

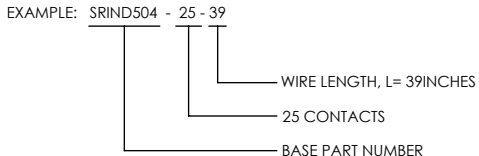
3. MATERIALS:  
 CONTACT: BERYLLIUM-COPPER ALLOY 172/173 IN ACCORDANCE WITH ASTM B196/197.  
 INSULATOR: CERAMAX PROPRIETARY CERAMIC.  
 WELD FLANGE: ALUMINUM ALLOY 4032 IN ACCORDANCE WITH ASTM B247.  
 WIRE: NEMA HP3-ETXBBB OR SAE-AS22759/33-30 (30AWG)  
 COLOR CODED AS FOLLOWS, REPEATED EVERY 10 CONTACTS:


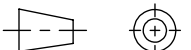
- |            |            |
|------------|------------|
| 1 - BLACK  | 6 - GREEN  |
| 2 - BROWN  | 7 - BLUE   |
| 3 - RED    | 8 - VIOLET |
| 4 - ORANGE | 9 - GREY   |
| 5 - YELLOW | 10 - WHITE |

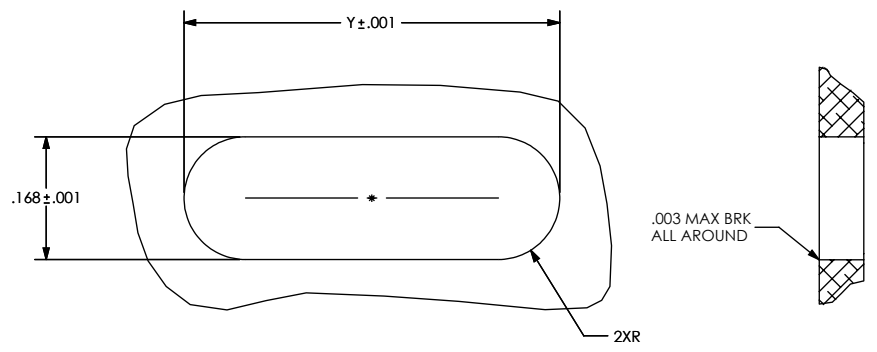
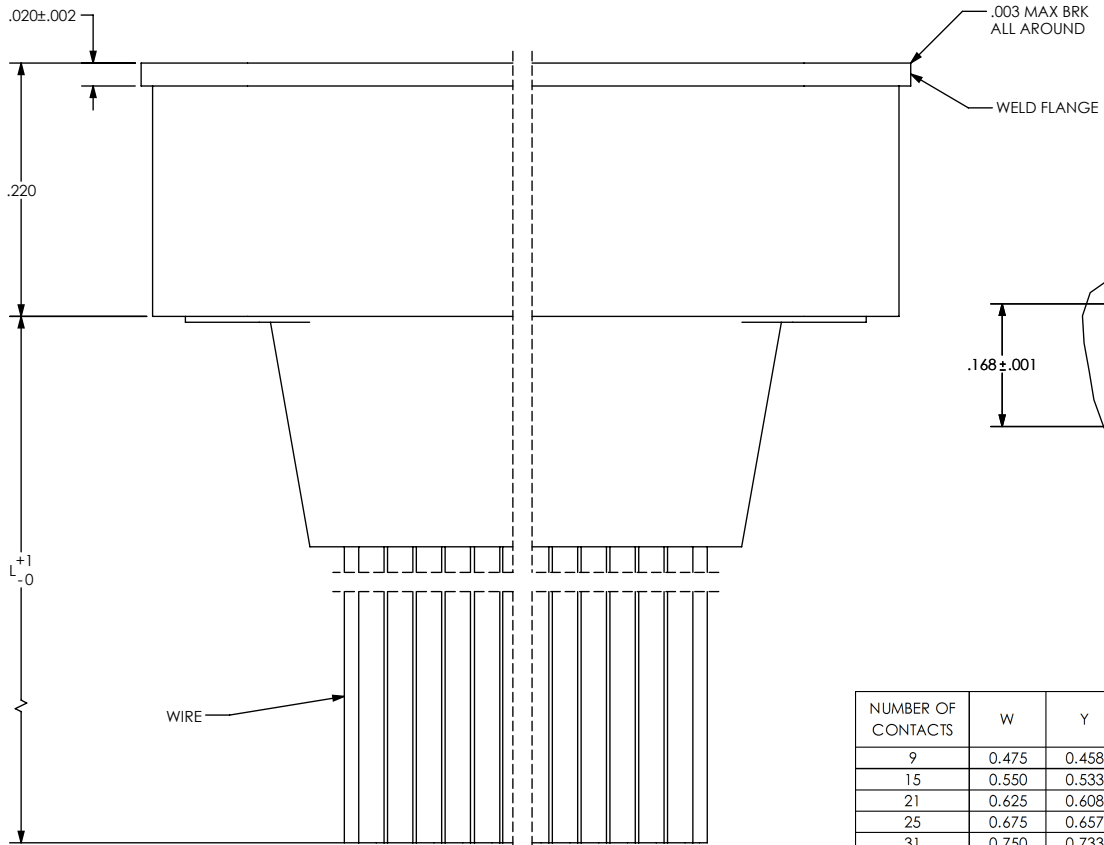
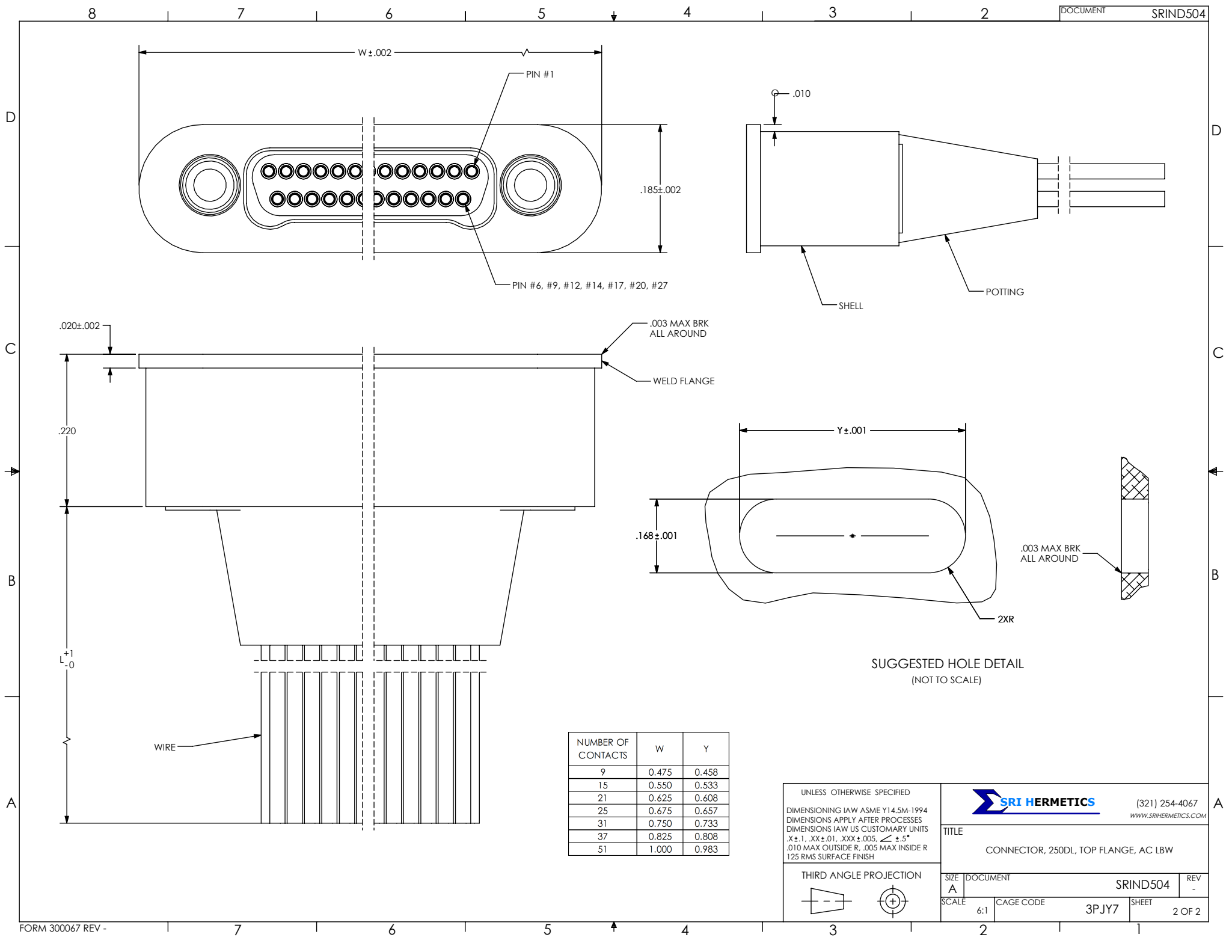
4. FINISH:  
 CONTACTS: NICKEL PLATE PER QQ-N-290, .000100 / .000250 THICK.  
 GOLD PLATE PER ASTM B488-01, TYPE III, CODE A, .000050/.000100 THICK.  
 PLATE ENTIRE EXPOSED PIN, BOTH ENDS.  
 PLATING IN SOCKETS NOT REQUIRED BENEATH BLEED HOLE.

SHELL: CHEMICAL CONVERSION COAT IN ACCORDANCE WITH MIL-DTL-5541, TYPE 1 CLASS 1A.

5. ORDERING INSTRUCTIONS:  
 SPECIFY BASE NUMBER FOLLOWED BY DASH NUMBERS INDICATING PIN COUNT AND WIRE LENGTH:



UNLESS OTHERWISE SPECIFIED		 (321) 254-4067 WWW.SRIHERMETICS.COM	
DIMENSIONING IAW ASME Y14.5M-1994 DIMENSIONS APPLY AFTER PROCESSES DIMENSIONS IAW US CUSTOMARY UNITS .X ± .1, .XX ± .01, .XXX ± .005, ∠ ± .5° .010 MAX OUTSIDE R, .005 MAX INSIDE R 125 RMS SURFACE FINISH		TITLE	
THIRD ANGLE PROJECTION		CONNECTOR, 250DL, TOP FLANGE, AC LBW	
	SIZE A	DOCUMENT SRIND504	REV -
SCALE 6:1	CAGE CODE 3PJY7	SHEET 1 OF 2	



NUMBER OF CONTACTS	W	Y
9	0.475	0.458
15	0.550	0.533
21	0.625	0.608
25	0.675	0.657
31	0.750	0.733
37	0.825	0.808
51	1.000	0.983

UNLESS OTHERWISE SPECIFIED  
 DIMENSIONING IAW ASME Y14.5M-1994  
 DIMENSIONS APPLY AFTER PROCESSES  
 DIMENSIONS IAW US CUSTOMARY UNITS  
 .X ± .1, .XX ± .01, .XXX ± .005, ∠ ± .5°  
 .010 MAX OUTSIDE R, .005 MAX INSIDE R  
 125 RMS SURFACE FINISH

THIRD ANGLE PROJECTION

**SRI HERMETICS** (321) 254-4067  
 WWW.SRIHERMETICS.COM

TITLE: CONNECTOR, 250DL, TOP FLANGE, AC LBW

SIZE: A DOCUMENT SRIND504 REV: -

SCALE: 6:1 CAGE CODE 3PJY7 SHEET 2 OF 2