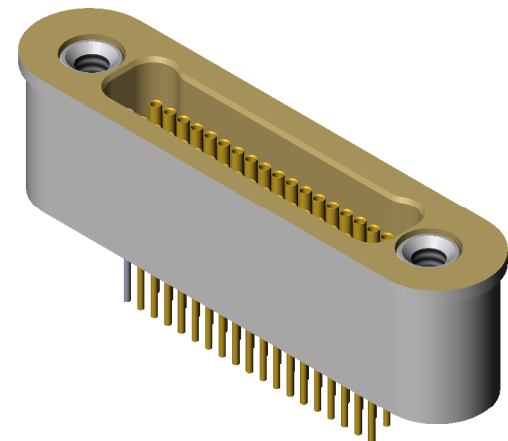
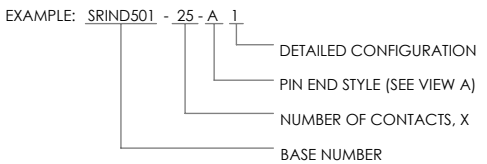


# ALUMINUM COMPATIBLE LASER WELDABLE NANO DUAL LOBE CONNECTOR

- CONFIGURATION WITH THE FLANGE LOCATED AT THE TOP OF THE CONNECTOR
- DESIGNED TO LASER WELD INTO A LOW-PROFILE ELECTRONIC CHASSIS WALL
- CONFORMS TO MIL-DTL-32139 AND ARE AVAILABLE IN 9, 15, 21, 25, 31, 37 AND 51 COUNT PIN/SOCKET CONFIGURATIONS.
- INCORPORATES BERYLLIUM-COPPER PIN/SOCKETS INDIVIDUALLY SEALED USING CERAMAX® PROPRIETARY CERAMIC TO ESTABLISH A DURABLE HERMETIC SEAL.
- THE INTERNAL PINS CAN BE CONFIGURED TO ACCEPT INSULATED WIRE, AUTOMATIC WIRE BONDS, RIBBON WELDS, OR SOLDER CONNECTIONS.

| REVISIONS |           |               |                  |
|-----------|-----------|---------------|------------------|
| REV       | DCN       | REVISION DATE | RELEASE APPROVAL |
| -         | INIT RLSE | 07-03-12      | J. PETRI         |
| A         | DCN001523 | 3/18/2015     | J.PETRI          |
| B         | DCN001621 | 10/12/2015    |                  |

1. LEAK RATE: LESS THAN OR EQUAL TO 1X10E-9 CC/SEC He AT ONE ATMOSPHERE DIFFERENTIAL PRESSURE.
2. INTERFACE AND MOUNTING HOLES IN ACCORDANCE WITH MIL-DTL-32139/4.
3. MATERIALS:  
 CONTACT: BERYLLIUM-COPPER ALLOY 172/173 IN ACCORDANCE WITH ASTM B196/197.  
 INSULATOR: CERAMAX PROPRIETARY CERAMIC.  
 WELD FLANGE: ALUMINUM ALLOY 4032 IN ACCORDANCE WITH ASTM B247.
4. FINISH:  
 CONTACTS: NICKEL PLATE PER QQ-N-290, .000100 / .000250 THICK.  
 GOLD PLATE PER ASTM B488, TYPE III, CODE A, .000050/.000100 THICK.  
 PLATE ENTIRE EXPOSED PIN, BOTH ENDS.  
 PLATING IN SOCKETS NOT REQUIRED BENEATH BLEED HOLE.  
 FLEXTAIL OPTION ONLY, PRE-TIN SOLDER PIN ENDS USING SN63PB37 PER J-STD-006.
- SHELL: CHEMICAL CONVERSION COAT IN ACCORDANCE WITH MIL-C-5541, CLASS 1A.
5. ORDERING INSTRUCTIONS:  
 SPECIFY BASE NUMBER FOLLOWED BY DASH NUMBERS INDICATING PIN COUNT AND CONFIGURATION (SEE SHEET 2+):



DIMENSIONING IAW ASME Y14.5M-1994  
 DIMENSIONS APPLY AFTER PROCESSES  
 DIMENSIONS IAW US CUSTOMARY UNITS  
 X ± .1, XX ± .01, XXX ± .005, <math>\angle \pm .5^\circ</math>  
 .010 MAX OUTSIDE R, .005 MAX INSIDE R  
 63 RMS SURFACE FINISH  
 THIRD ANGLE PROJECTION

DO NOT SCALE DRAWING

**SRI HERMETICS** (321) 254-4067  
 a division of WINCHESTER www.srihermetics.com

TITLE: CONNECTOR, 250DL, TOP FLANGE, AL LBW

|           |                   |              |
|-----------|-------------------|--------------|
| SIZE A    | DOCUMENT SRIND501 | REV B        |
| SCALE 6:1 | CAGE CODE 3PJY7   | SHEET 1 OF 3 |

8 7 6 5 4 3 2

D

C

B

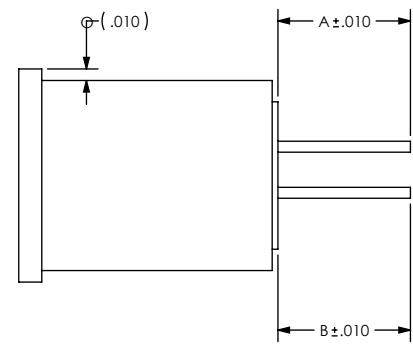
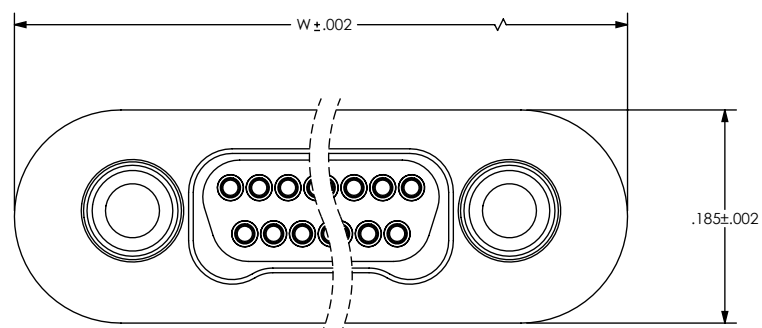
A

D

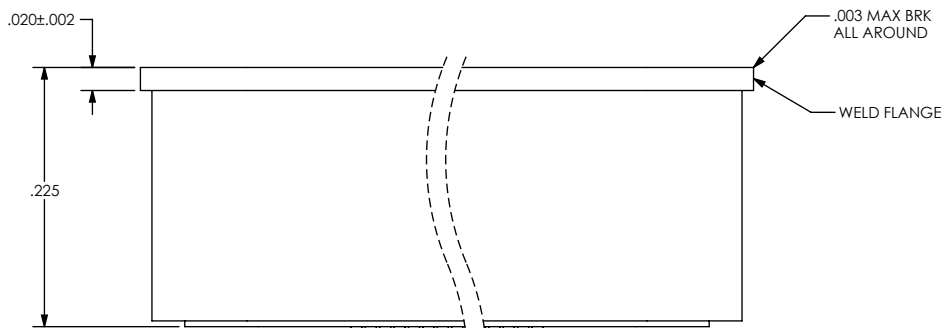
C

B

A



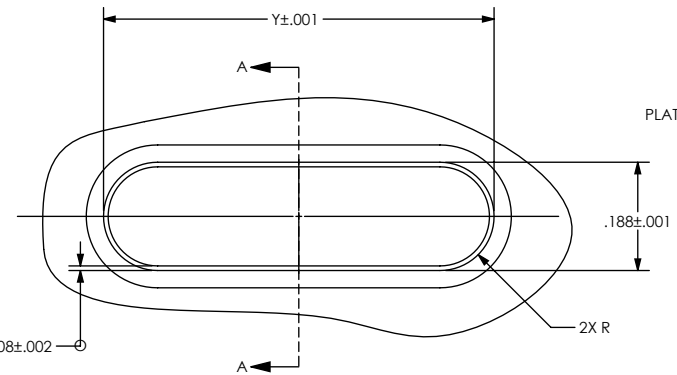
PIN EXTENSIONS (SEE SH 3)



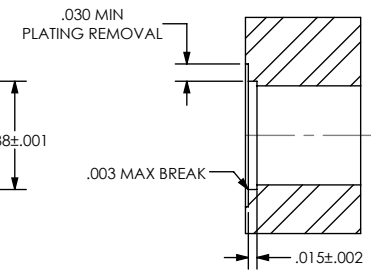
CONTACT

PIN END STYLE:  
A-STRAIGHT CUT  
B-WIREBOND FLAT  
C-FLEX TAIL

VIEW A



SUGGESTED HOLE DETAIL



| NUMBER OF CONTACTS | W     | Y     |
|--------------------|-------|-------|
| 9                  | 0.475 | 0.478 |
| 15                 | 0.550 | 0.553 |
| 21                 | 0.625 | 0.628 |
| 25                 | 0.675 | 0.677 |
| 31                 | 0.750 | 0.753 |
| 37                 | 0.825 | 0.828 |
| 51                 | 1.000 | 1.003 |

DIMENSIONING IAW ASME Y14.5M-1994  
DIMENSIONS APPLY AFTER PROCESSES  
DIMENSIONS IAW US CUSTOMARY UNITS  
X ± .1, XX ± .01, XXX ± .005, ∠ ± .5°  
.010 MAX OUTSIDE R, .005 MAX INSIDE R  
63 RMS SURFACE FINISH  
THIRD ANGLE PROJECTION



DO NOT SCALE DRAWING

**SRI HERMETICS**  
a division of WINCHESTER

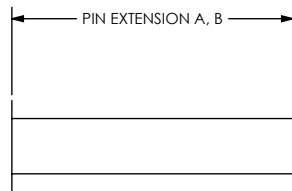
(321) 254-4067  
www.srihermetics.com

TITLE  
CONNECTOR, 250DL, TOP FLANGE, AL LBW

SIZE DOCUMENT SRIND501 REV B  
SCALE 6:1 CAGE CODE 3PJY7 SHEET 2 OF 3

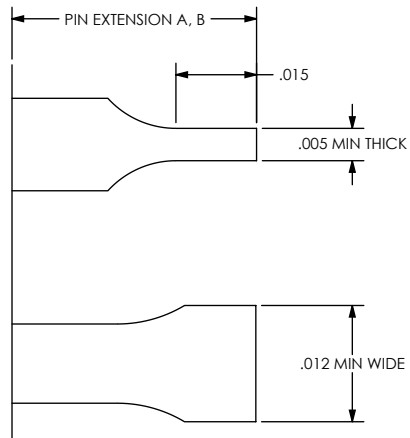
7 6 5 4 3 2 1

STRAIGHT PIN END STYLE, A



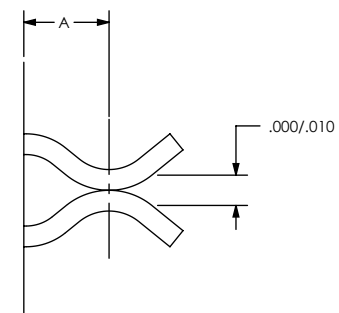
| PART NUMBER        | A    | B    |
|--------------------|------|------|
| SRIND501 - X - A 1 | .110 | .110 |

WIREBOND FLAT PIN END STYLE, B



| PART NUMBER        | A    | B    |
|--------------------|------|------|
| SRIND501 - X - B 1 | .060 | .040 |
| SRIND501 - X - B2  | .040 | .060 |
| SRIND501 - X - B3  | .050 | .050 |

FLEX TAIL PIN END STYLE, C



| PART NUMBER        | A    |
|--------------------|------|
| SRIND501 - X - C 1 | .037 |

DIMENSIONING IAW ASME Y14.5M-1994  
 DIMENSIONS APPLY AFTER PROCESSES  
 DIMENSIONS IAW US CUSTOMARY UNITS  
 X ± .1, XX ± .01, XXX ± .005, <math>\angle \pm .5^\circ</math>  
 .010 MAX OUTSIDE R, .005 MAX INSIDE R  
 63 RMS SURFACE FINISH  
 THIRD ANGLE PROJECTION



DO NOT SCALE DRAWING

**SRI HERMETICS**  
 a division of WINCHESTER

(321) 254-4067  
 www.srihermetics.com

|       |                                      |           |                    |
|-------|--------------------------------------|-----------|--------------------|
| TITLE | CONNECTOR, 250DL, TOP FLANGE, AL LBW |           |                    |
| SIZE  | DOCUMENT                             | SRIND501  | REV B              |
| SCALE | 6:1                                  | CAGE CODE | 3PJY7 SHEET 3 OF 3 |