

# ALUMINUM COMPATIBLE LASER WELDABLE MICRO-D CONNECTOR

REVISIONS			
REV	CHANGE NO.	DATE	CFG APPROVAL
-	INIT RLSE	03-09-2009	J. PETRI
A	001864	10/14/2016	

- CONFIGURATION WITH NO FLANGE FOR LOW PROFILE APPLICATIONS
- DESIGNED TO LASER WELD INTO AN ELECTRONIC CHASSIS WALL
- CONFORMS TO MIL-DTL-83513 AND ARE AVAILABLE IN 9, 15, 21, 25, 31, 37, 51, AND 100 COUNT PIN/SOCKET CONFIGURATIONS.
- INCORPORATES BERYLLIUM-COPPER PIN/SOCKETS INDIVIDUALLY SEALED USING CERAMAX® PROPRIETARY CERAMIC TO ESTABLISH A DURABLE HERMETIC SEAL.
- THE INTERNAL PINS CAN BE CONFIGURED TO ACCEPT INSULATED WIRE, AUTOMATIC WIRE BONDS, RIBBON WELDS, OR SOLDER CONNECTIONS.

1. LEAK RATE: LESS THAN OR EQUAL TO 1X10E-9 CC/SEC He AT ONE ATMOSPHERE DIFFERENTIAL PRESSURE.
2. INTERFACE AND MOUNTING HOLES IN ACCORDANCE WITH MIL-PRF-83513/2.
3. MATERIALS:  
 CONTACT: BERYLLIUM-COPPER ALLOY 172/173 IN ACCORDANCE WITH ASTM B196/197.  
 INSULATOR: CERAMAX PROPRIETARY CERAMIC.  
 WELD FLANGE: ALUMINUM ALLOY 4032 IN ACCORDANCE WITH ASTM B247.  
 THREADED INSERTS: IN ACCORDANCE WITH NAS1130-02-15 (-9 THROUGH -51 CONFIGURATIONS) OR NAS1130-04-15 (-100 CONFIGURATION).  
 INTERFACIAL SEAL: FLUOROSILICONE RUBBER PER MIL-R-25988, CLASS 1, TYPE II, GRADE 60.
4. FINISH:  
 CONTACTS: NICKEL PLATE PER QQ-N-290, .000100 / .000250 THICK.  
 GOLD PLATE PER ASTM B488-01, TYPE III, CODE A, .000050 / .000100 THICK.  
 PLATE ENTIRE EXPOSED PIN, BOTH ENDS.  
 PLATING IN SOCKETS NOT REQUIRED BENEATH BLEED HOLE.

SHELL: CHEMICAL CONVERSION COAT IN ACCORDANCE WITH MIL-C-5541, CLASS CL1A. (SEE TABLE 1)

5. ORDERING INSTRUCTIONS:  
 SPECIFY BASE NUMBER FOLLOWED BY DASH NUMBERS INDICATING PIN COUNT AND PIN CONFIGURATION:

EXAMPLE: SRIMD601 - 25 - A 1 F L W

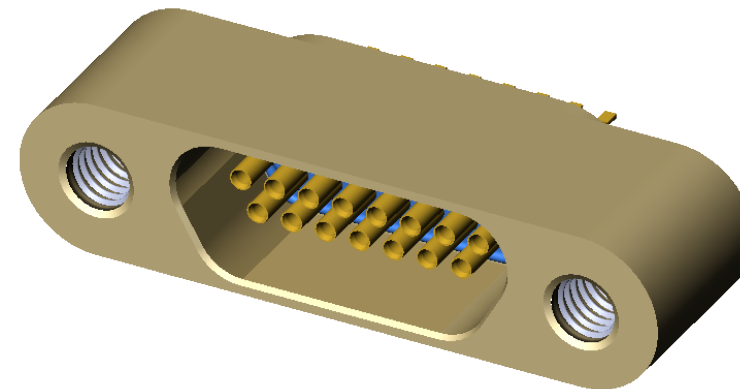
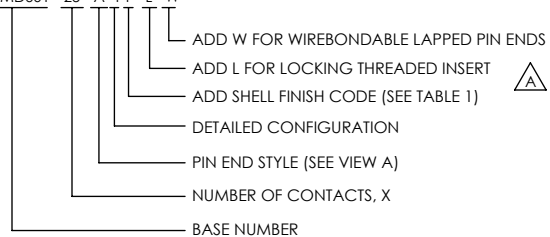
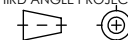


TABLE 1.

	MIL-DTL-5541 TYPE I, CLASS 1A
1	MIL-DTL-5541 TYPE I, CLASS 3
2	MIL-DTL-5541 TYPE II, CLASS 1A
3	MIL-DTL-5541 TYPE II, CLASS 3

DIMENSIONING IAW ASME Y14.5M-1994  
 DIMENSIONS APPLY AFTER PROCESSES  
 DIMENSIONS IAW US CUSTOMARY UNITS  
 X ± .1, XX ± .01, XXX ± .005, ∠ ± .5°  
 .010 MAX OUTSIDE R, .005 MAX INSIDE R  
 63 RMS SURFACE FINISH  
 THIRD ANGLE PROJECTION



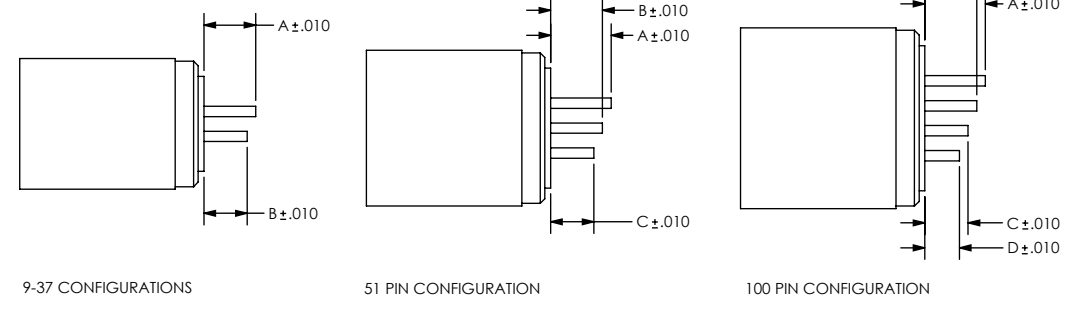
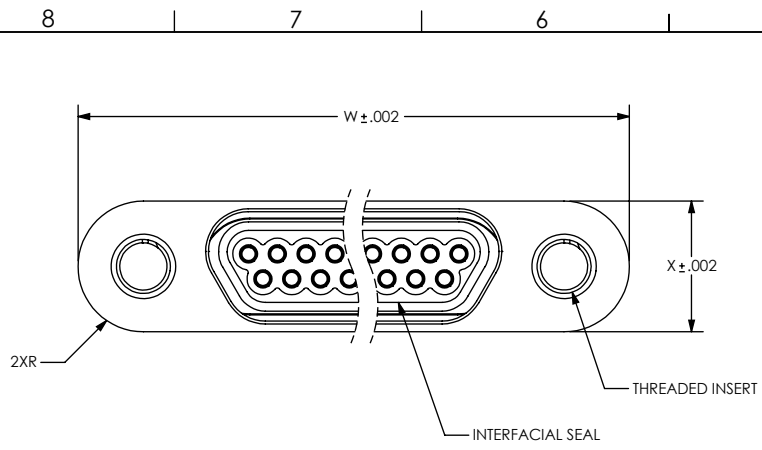
DO NOT SCALE DRAWING

(321) 254-4067  
**SRI HERMETICS**  
 a division of WINCHESTER  
 www.srihermetics.com

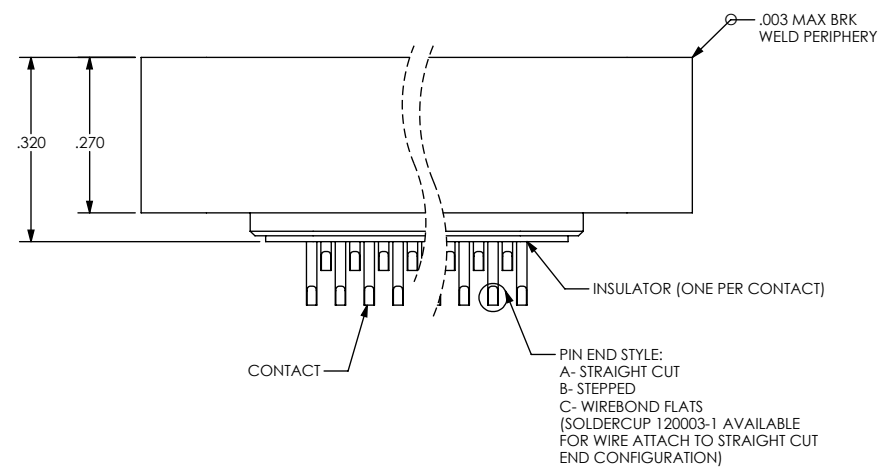
TITLE  
 CONNECTOR, MICRO-D, ALUMINUM COMPATIBLE LBW

SIZE DOCUMENT SRIMD601 REV A

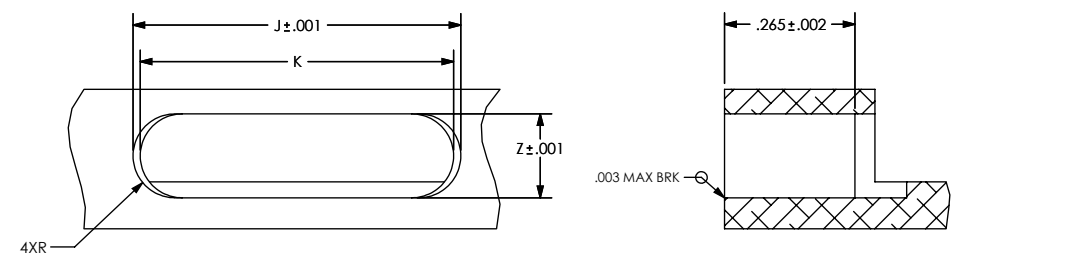
SCALE 3:1 CAGE CODE 3PJY7 SHEET 1 OF 3



9-37 CONFIGURATIONS      51 PIN CONFIGURATION      100 PIN CONFIGURATION  
PIN EXTENSIONS (SEE SH 3)



VIEW A

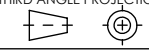


SUGGESTED HOLE DETAIL (NOT TO SCALE)

TABLE 2.

NUMBER OF CONTACTS	W	X	J	K	Z
9	0.792	0.227	0.795	0.765	0.230
15	0.942	0.227	0.945	0.915	0.230
21	1.092	0.227	1.095	1.065	0.230
25	1.192	0.227	1.195	1.165	0.230
31	1.342	0.227	1.345	1.315	0.230
37	1.492	0.227	1.495	1.465	0.230
51	1.442	0.270	1.445	1.415	0.273
100	2.063	0.314	2.066	2.036	0.317

DIMENSIONING IAW ASME Y14.5M-1994  
DIMENSIONS APPLY AFTER PROCESSES  
DIMENSIONS IAW US CUSTOMARY UNITS  
X ± .1, XX ± .01, XXX ± .005, ∠ ± .5°  
.010 MAX OUTSIDE R, .005 MAX INSIDE R  
63 RMS SURFACE FINISH  
THIRD ANGLE PROJECTION



DO NOT SCALE DRAWING



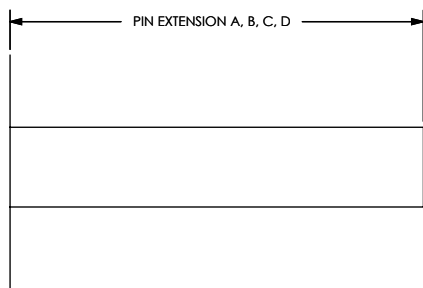
(321) 254-4067  
www.srihermetics.com

TITLE CONNECTOR, MICRO-D, ALUMINUM COMPATIBLE LBW

SIZE DOCUMENT SRIMD601 REV A

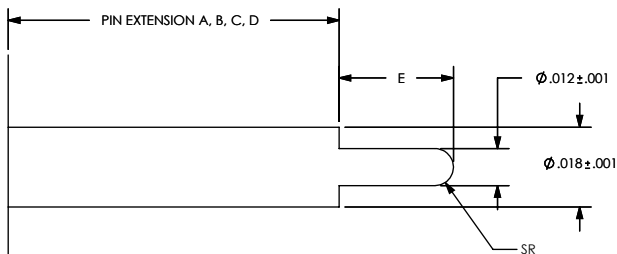
SCALE 3:1 CAGE CODE 3PJY7 SHEET 2 OF 3

STRAIGHT PIN END STYLE, A



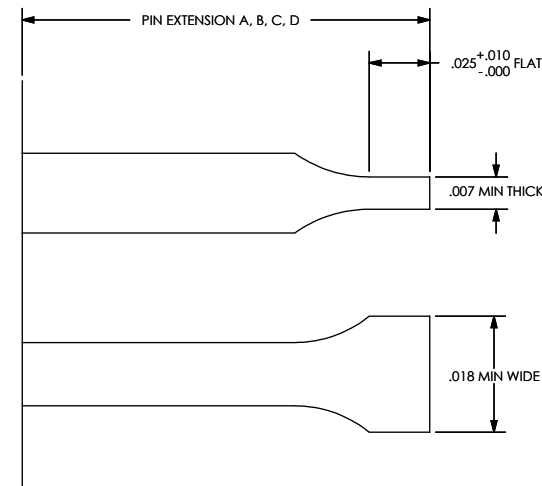
PART NUMBER	A	B	C	D
SRIMD601 - X - A 1	0.118	0.118	0.118	0.118

STEPPED PIN END STYLE, B



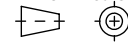
PART NUMBER	A	B	C	D	E
SRIMD601 - X - B 1	0.083	0.083	0.083	0.083	0.037

WIREBOND FLAT PIN END STYLE, C



PART NUMBER	A	B	C	D
SRIMD601 - X - C 1	0.110	0.050	-	-

DIMENSIONING IAW ASME Y14.5M-1994  
 DIMENSIONS APPLY AFTER PROCESSES  
 DIMENSIONS IAW US CUSTOMARY UNITS  
 X±.1, .XX±.01, .XXX±.005, <math>\angle \pm .5^\circ</math>  
 .010 MAX OUTSIDE R, .005 MAX INSIDE R  
 63 RMS SURFACE FINISH  
 THIRD ANGLE PROJECTION



DO NOT SCALE DRAWING



(321) 254-4067  
 www.srihermetics.com

TITLE  
 CONNECTOR, MICRO-D, ALUMINUM COMPATIBLE LBW

SIZE DOCUMENT SRIMD601 REV A

SCALE 3:1 CAGE CODE 3PJY7 SHEET 3 OF 3