

TITANIUM COMPATIBLE LASER WELDABLE MICRO-D, MALE/FEMALE CONNECTOR

REVISIONS			
REV	DCN	REV DATE	RELEASE APPROVAL
-	INIT RLSE	2013-11-04	<i>[Signature]</i>

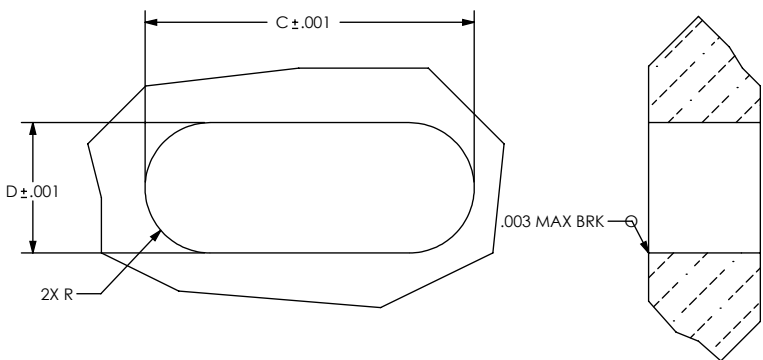
- DESIGNED TO LASER WELD TO AN ELECTRONIC CHASSIS WALL OR FLANGE.
- CONFORMS TO MIL-DTL-83513 AND IS AVAILABLE IN 9, 15, 21, 25, 31, 37, 51, AND 100 COUNT SOCKET CONFIGURATIONS.
- INCORPORATES BERYLLIUM-COPPER SOCKETS INDIVIDUALLY SEALED USING CERAMAX® PROPRIETARY CERAMIC TO ESTABLISH A DURABLE HERMETIC SEAL.

1. LEAK RATE: LESS THAN OR EQUAL TO 1X10E-9 CC/SEC He AT ONE ATMOSPHERE DIFFERENTIAL PRESSURE.
2. INTERFACE AND MOUNTING HOLES IN ACCORDANCE WITH MIL-DTL-83513/2.
3. MATERIALS:
 CONTACT: BERYLLIUM-COPPER ALLOY 172/173 IN ACCORDANCE WITH ASTM B196/197.
 DIELECTRIC: CERAMAX PROPRIETARY CERAMIC.
 WELD FLANGE: TITANIUM GRADE 2 IN ACCORDANCE WITH ASTM B265.
 INTERFACIAL SEAL: FLUOROSILICONE RUBBER PER MIL-R-25988, CLASS 1, TYPE II.
 INSULATOR: POLYETHERETHERKETONE (PEEK)
4. FINISH:
 CONTACTS: NICKEL PLATE PER SAE-AMS-QQ-N-290, .000100/.000250 THICK.
 GOLD PLATE PER ASTM B488, TYPE III, CODE A, .000075/.000125 THICK.

5. ORDERING INSTRUCTIONS:
 SPECIFY BASE NUMBER FOLLOWED BY DASH NUMBERS INDICATING PIN COUNT INTERFACIAL SEAL:

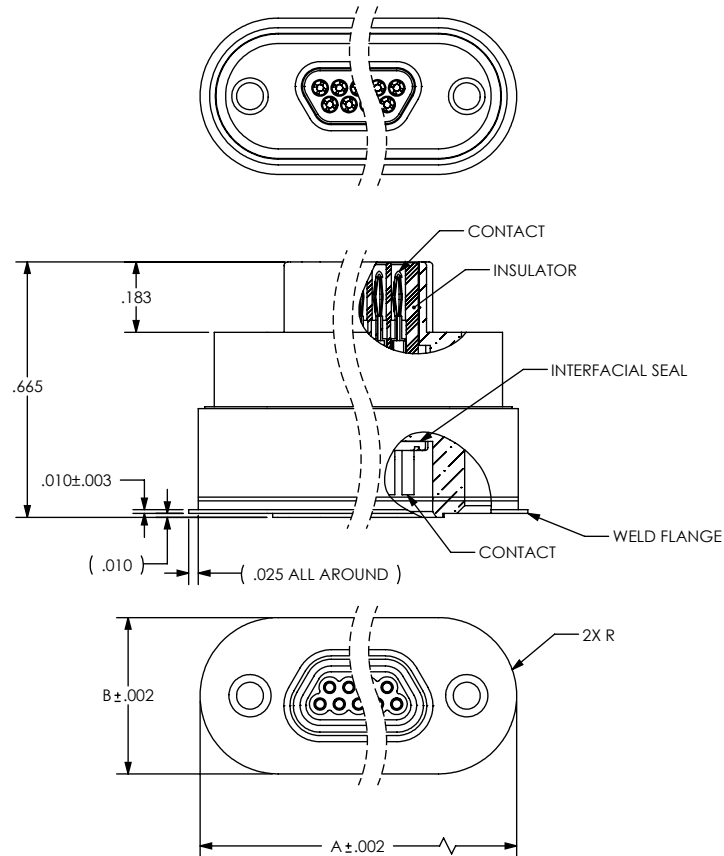
EXAMPLE: SRIMD5009 - 25 - V

- ADD "N" FOR NO INTERFACIAL SEAL
- ADD "V" FOR VITON INTERFACIAL SEAL
- PIN COUNT = 25 (SEE TAB)
- BASE NUMBER



SUGGESTED HOLE DETAIL
 NOT TO SCALE

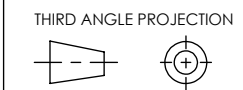
PART NUMBER	A	B	C	D
SRIMD5009-9	.825	.407	.778	.360
SRIMD5009-15	.975	.407	.928	.360
SRIMD5009-21	1.125	.407	1.078	.360
SRIMD5009-25	1.225	.407	1.178	.360
SRIMD5009-31	1.375	.407	1.328	.360
SRIMD5009-37	1.525	.407	1.478	.360
SRIMD5009-51	1.475	.450	1.428	.403
SRIMD5009-100	2.096	.494	2.049	.447



UNLESS OTHERWISE SPECIFIED
 DIMENSIONING IAW ASME Y14.5M-1994
 DIMENSIONS APPLY AFTER PROCESSES
 DIMENSIONS IAW US CUSTOMARY UNITS
 .X ± .1, .XX ± .01, .XXX ± .005, ∠ ± .5°
 .010 MAX OUTSIDE R, .005 MAX INSIDE R
 125 RMS SURFACE FINISH

SRI HERMETICS (321) 254-4067
 WWW.SRIHERMETICS.COM

TITLE
 CONNECTOR, MICRO-D, MALE/FEMALE, TC LBW



SIZE A	DOCUMENT SRIMD5009	REV -
SCALE 2:1	CAGE CODE 3PJY7	SHEET 1 OF 1