

ALUMINUM COMPATIBLE LASER WELDABLE MICRO-D, MALE/FEMALE CONNECTOR

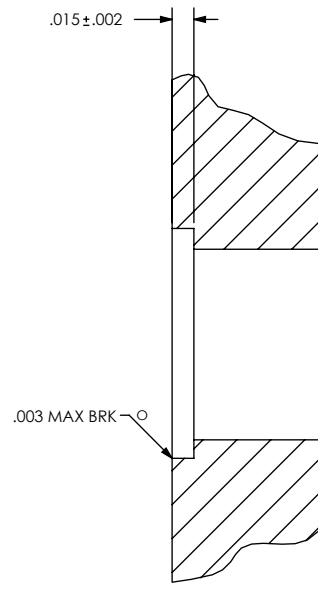
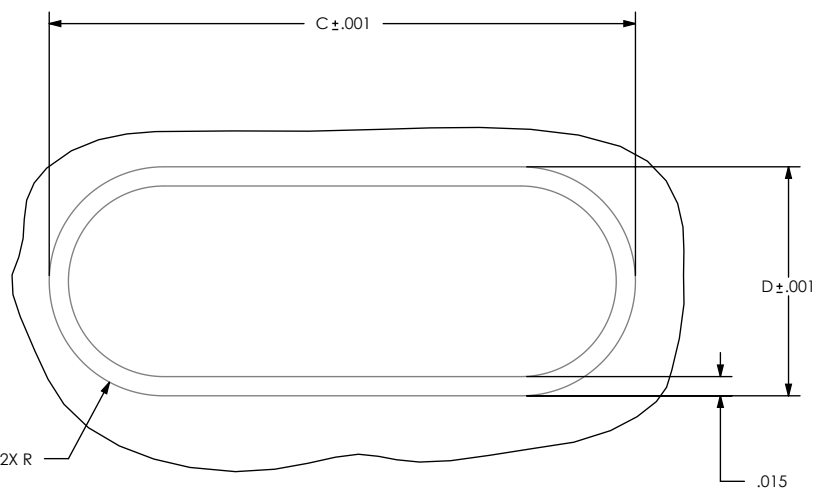
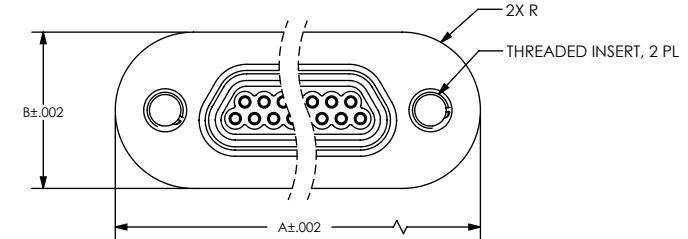
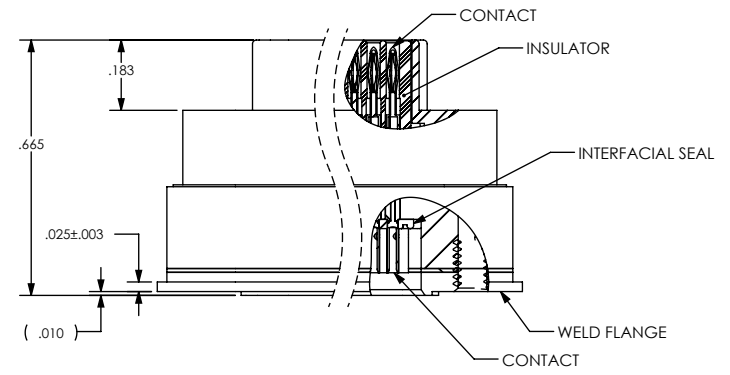
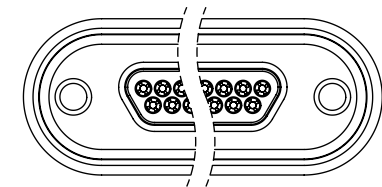
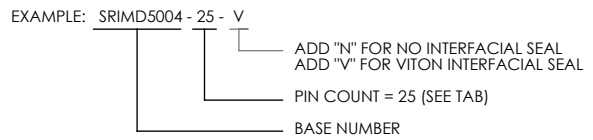
REVISIONS			
REV	CHANGE NO.	DATE	CFG APPROVAL
-	INIT RLSE	8/18/2010	J. PETR
A	DCN000734	10/15/2010	J. PETR

- DESIGNED TO LASER WELD TO AN ELECTRONIC CHASSIS WALL OR FLANGE.
- CONFORMS TO MIL-DTL-83513 AND IS AVAILABLE IN 9, 15, 21, 25, 31, 37, 51, AND 100 COUNT SOCKET CONFIGURATIONS.
- INCORPORATES BERYLLIUM-COPPER SOCKETS INDIVIDUALLY SEALED USING CERAMAX® PROPRIETARY CERAMIC TO ESTABLISH A DURABLE HERMETIC SEAL.

1. LEAK RATE: LESS THAN OR EQUAL TO 1X10E-9 CC/SEC He AT ONE ATMOSPHERE DIFFERENTIAL PRESSURE.
2. INTERFACE AND MOUNTING HOLES IN ACCORDANCE WITH MIL-DTL-83513/2.
3. MATERIALS:
 CONTACT: BERYLLIUM-COPPER ALLOY 172/173 IN ACCORDANCE WITH ASTM B196/197.
 DIELECTRIC: CERAMAX PROPRIETARY CERAMIC.
 WELD FLANGE: ALUMINUM ALLOY 4000 SERIES.
 INTERFACIAL SEAL: FLUOROSILICONE RUBBER PER MIL-R-25988, CLASS 1, TYPE II.
 INSULATOR: POLYETHERETHERKETONE (PEEK)
 THREADED INSERTS: IN ACCORDANCE WITH NAS1130-02-15 (-9 THRU -51 CONFIGURATIONS) OR NAS1130-04-15 (-100 CONFIGURATION)
 AVAILABLE PLUG SIDE JACKPOSTS: SR1126-1 -9 THROUGH -51 CONFIGURATIONS
 SR1126-2 -100 CONFIGURATION

4. FINISH:
 CONTACTS: NICKEL PLATE PER SAE-AMS-QQ-N-290, .000100/.000250 THICK.
 GOLD PLATE PER ASTM B488-01, TYPE III, CODE A, .000075/.000125 THICK.

5. ORDERING INSTRUCTIONS:
 SPECIFY BASE NUMBER FOLLOWED BY DASH NUMBER INDICATING PIN COUNT:



PART NUMBER	A	B	C	D
SRIMD5004-9	0.825	0.407	0.828	0.410
SRIMD5004-15	0.975	0.407	0.978	0.410
SRIMD5004-21	1.125	0.407	1.128	0.410
SRIMD5004-25	1.225	0.407	1.228	0.410
SRIMD5004-31	1.375	0.407	1.378	0.410
SRIMD5004-37	1.525	0.407	1.528	0.410
SRIMD5004-51	1.475	0.450	1.478	0.453
SRIMD5004-69	1.775	0.450	1.778	0.453
SRIMD5004-100	2.096	0.494	2.099	0.497

UNLESS OTHERWISE SPECIFIED
 DIMENSIONING IAW ASME Y14.5M-1994
 DIMENSIONS APPLY AFTER PROCESSES
 DIMENSIONS IAW US CUSTOMARY UNITS
 .X ± .1, .XX ± .01, .XXX ± .005, ∠ ± .5°
 .010 MAX OUTSIDE R, .005 MAX INSIDE R
 125 RMS SURFACE FINISH

THIRD ANGLE PROJECTION

SRI HERMETICS (321) 254-4067
 WWW.SRIHERMETICS.COM

TITLE: CONNECTOR, MICRO-D, MALE/FEMALE, AC LBW

SIZE: A DOCUMENT: SRIMD5004 REV: A

SCALE: 2:1 CAGE CODE: 3PJY7 SHEET: 1 OF 1