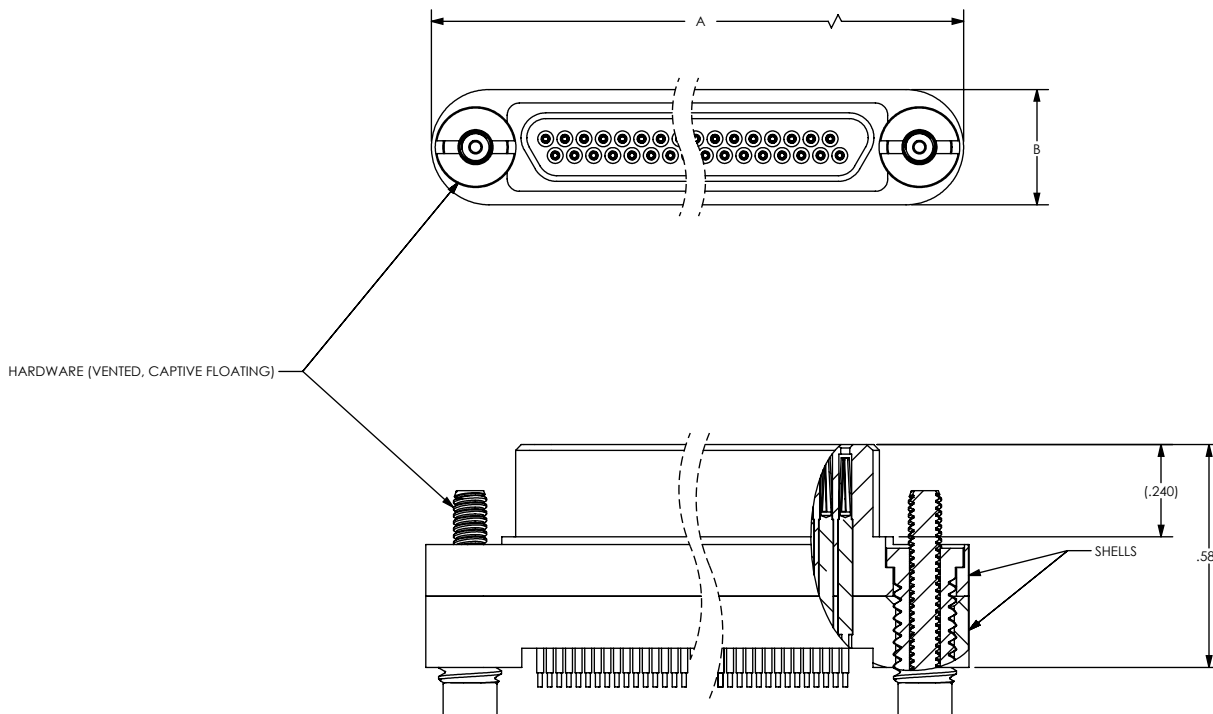


SRIMD214 HI-VAC NONHERMETIC MICRO-D PLUG CONNECTOR

REVISIONS			
REV	DCN	REVISION DATE	RELEASE APPROVAL
-		11/4/2014	

- MATES WITH HERMETIC MICRO-D CONNECTOR SRIMD1005.
- AVAILABLE PIN COUNTS: 9, 15, 21, 25, 31, 37, 51, 100
- MATERIALS:
 - SHELL: MACOR MACHINABLE CERAMIC
 - CONTACT: BERYLLIUM COPPER, NICKEL AND GOLD PLATED
 - HARDWARE: STAINLESS STEEL
- ORDERING INSTRUCTIONS:
SPECIFY BASE NUMBER FOLLOWED BY DASH NUMBER INDICATING PIN COUNT:

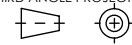
EXAMPLE: SRIMD214 - 9
 └─── PIN COUNT = 9
 └─── BASE NUMBER



PART NUMBER	A	B
SRIMD214-9	.795	.300
SRIMD214-15	.945	.300
SRIMD214-21	1.095	.300
SRIMD214-25	1.195	.300
SRIMD214-31	1.345	.300
SRIMD214-37	1.495	.300
SRIMD214-51	1.445	.343
SRIMD214-100	2.056	.387

DIMENSIONING LAW ASME Y14.5M-1994
 DIMENSIONS APPLY PROCESSES
 DIMENSIONS LAW US CUSTOMARY UNITS
 X ± .1, XX ± .01, XXX ± .005, ∠ ± .5°
 .010 MAX OUTSIDE R, .005 MAX INSIDE R
 63 RMS SURFACE FINISH

THIRD ANGLE PROJECTION



DO NOT SCALE DRAWING



TITLE CONNECTOR, MICRO-D, NONHERMETIC, HI-VAC PLUG

SIZE	DOCUMENT	SRIMD214	REV
A			-
SCALE	1:1	CAGE CODE	3PJY7
		SHEET	1 OF 1