

SRIMD2001 CONNECTOR, MICRO-D, O-RING PANEL MOUNT

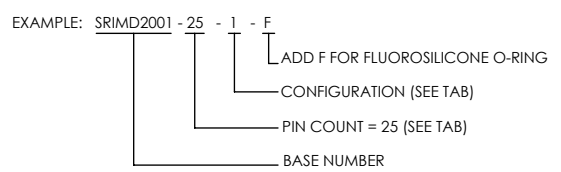
REVISIONS			
REV	DCN	REVISION DATE	RELEASE APPROVAL
-	INIT RLSE	-----	/S/ DC
A	DCN000224	2/12/2007	J. PETRI
B	DCN000230	3/20/2007	J. PETRI
C	DCN000327	5/5/2008	J. PETRI
D	DCN001281	12/13/2013	J. PETRI
E	DCN001650	11/13/2015	

- DESIGNED FOR PANEL-MOUNT WITH AN O-RING SEAL
- AVAILABLE IN STAINLESS STEEL
- INTERFACE CONFORMS TO MIL-DTL-83513 AND ARE AVAILABLE IN 9, 15, 21, 25, 31, 37, 51, AND 100 COUNT PIN/SOCKET CONFIGURATIONS.
- INCORPORATES BERYLLIUM-COPPER PIN/SOCKETS INDIVIDUALLY SEALED USING CERAMAX® PROPRIETARY CERAMIC TO ESTABLISH A DURABLE HERMETIC SEAL.

1. LEAK RATE: LESS THAN OR EQUAL TO 1×10^{-9} CC/SEC He AT ONE ATMOSPHERE DIFFERENTIAL PRESSURE.
2. INTERFACE AND MOUNTING HOLES IN ACCORDANCE WITH MIL-PRF-83513/2.
3. MATERIALS:
 CONTACT: BERYLLIUM-COPPER ALLOY 172/173 IN ACCORDANCE WITH ASTM B196/197.
 INSULATOR: CERAMAX PROPRIETARY CERAMIC.
 SHELL: STAINLESS STEEL ALLOY 304L IN ACCORDANCE WITH QQ-S-763.
 INTERFACIAL SEAL: FLUOROSILICONE RUBBER PER MIL-R-25988, CLASS 1, TYPE II, GRADE 60.
 O-RING GASKET: FLUOROCARBON RUBBER, BLACK (VITON®) OR FLUOROSILICONE RUBBER, BLUE
 JACKPOST: STAINLESS STEEL 302 OR 303 PER SAE-AMS-QQ-S-763.
4. FINISH:
 CONTACTS: NICKEL PLATE PER QQ-N-290, .000100/.000250 THICK.
 GOLD PLATE PER ASTM B488-11, TYPE III, CODE A, .000075/.000125 THICK.
 PLATE ENTIRE EXPOSED PIN, BOTH ENDS.
 PLATING IN SOCKETS NOT REQUIRED BENEATH BLEED HOLE.

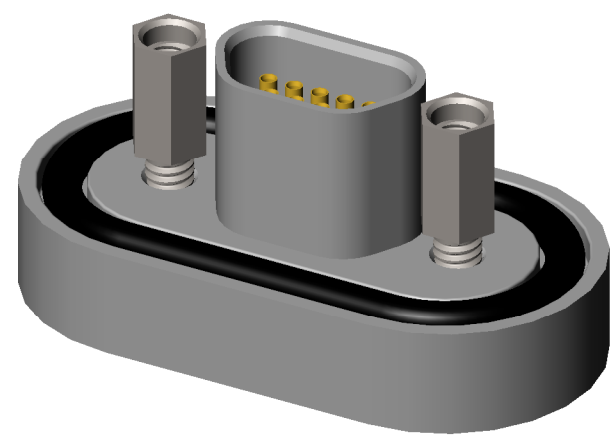
SHELL: PASSIVATED.

5. ORDERING INSTRUCTIONS:
 SPECIFY BASE NUMBER FOLLOWED BY DASH NUMBERS INDICATING PIN COUNT, CONFIGURATION (SEE SHEET 2+) AND O-RING MATERIAL:

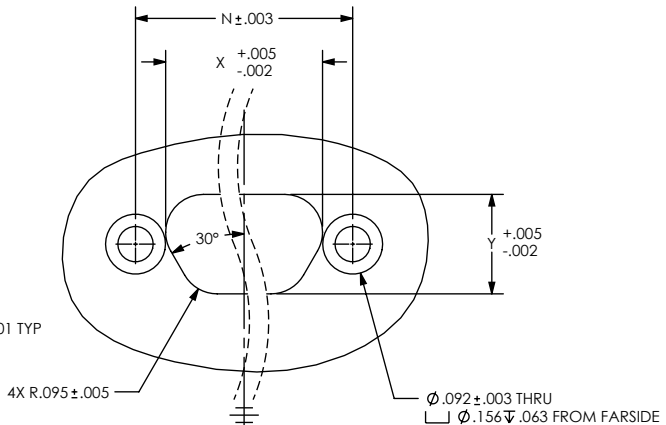
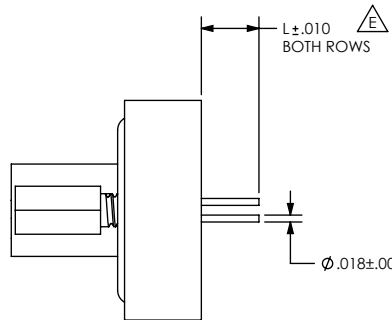
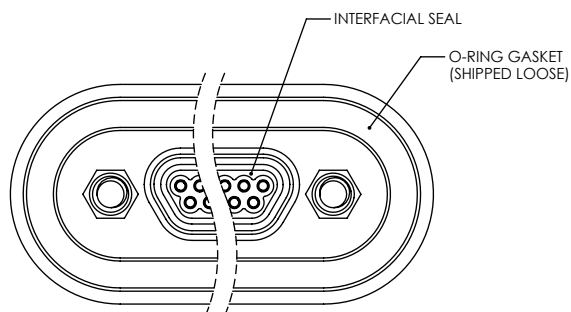


ORDER SOLDERCUPS SEPARATELY AS REQUIRED (SEE SHEET 2).

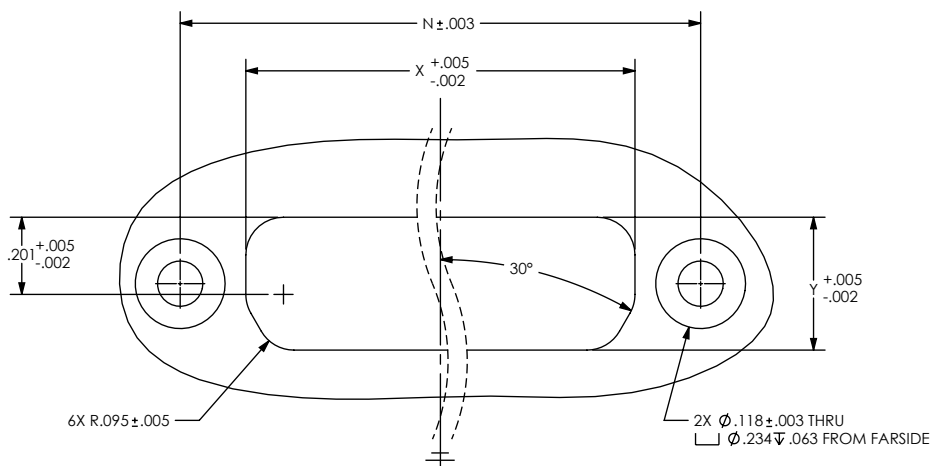
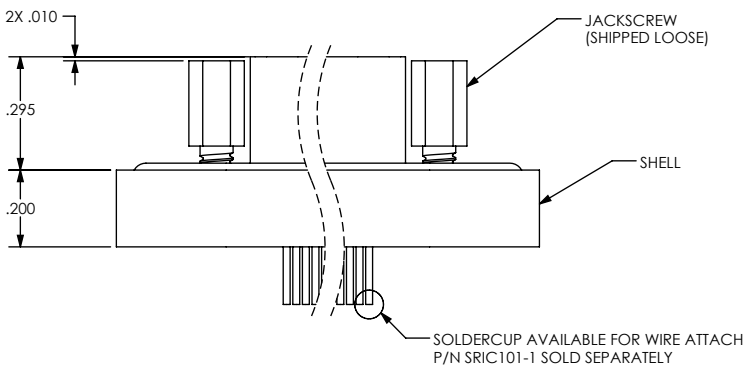
CONFIGURATION	L
SRIMD2001-{ }-1	0.150
SRIMD2001-{ }-2	0.230



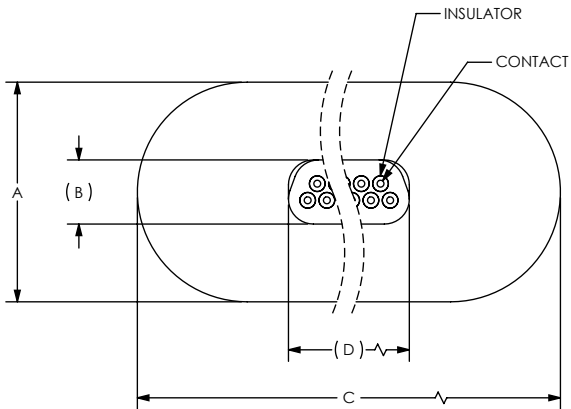
DIMENSIONING IAW ASME Y14.5M-1994 DIMENSIONS APPLY AFTER PROCESSES DIMENSIONS IAW US CUSTOMARY UNITS X ± .1, XX ± .01, XXX ± .005, ∠ ± .5° .010 MAX OUTSIDE R, .005 MAX INSIDE R 63 RMS SURFACE FINISH THIRD ANGLE PROJECTION 		(321) 254-4067 www.srihermetics.com SRI HERMETICS a division of WINCHESTER	
TITLE CONNECTOR, MICRO-D, O-RING PANEL MOUNT		SIZE A	REV E
DO NOT SCALE DRAWING		SCALE 3:1	CAGE CODE 3PJY7
		DOCUMENT SRIMD2001	SHEET 1 OF 2



PANEL CUTOUT DETAIL
(9-51 PIN CONFIGURATIONS)

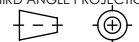


PANEL CUTOUT DETAIL
(100 PIN CONFIGURATION)



NUMBER OF CONTACTS	A	B	C	D	X	Y	N
9	0.572	0.167	1.087	0.300	0.408	0.259	0.565
15	0.572	0.167	1.284	0.450	0.558	0.259	0.715
21	0.572	0.167	1.383	0.600	0.708	0.259	0.865
25	0.572	0.167	1.480	0.700	0.808	0.259	0.965
31	0.572	0.167	1.676	0.850	0.958	0.259	1.115
37	0.572	0.167	1.775	1.000	1.108	0.259	1.265
51	0.615	0.210	1.751	0.950	1.058	0.302	1.215
100	0.659	0.254	2.315	1.350	1.458	0.346	1.800

DIMENSIONING IAW ASME Y14.5M-1994
DIMENSIONS APPLY AFTER PROCESSES
DIMENSIONS IAW US CUSTOMARY UNITS
 $X \pm .1, .XX \pm .01, .XXX \pm .005, \angle \pm .5^\circ$
.010 MAX OUTSIDE R, .005 MAX INSIDE R
63 RMS SURFACE FINISH
THIRD ANGLE PROJECTION



DO NOT SCALE DRAWING



(321) 254-4067
www.srihermetics.com

TITLE
CONNECTOR, MICRO-D, O-RING PANEL MOUNT

SIZE DOCUMENT SRIMD2001 REV E
SCALE 2:1 CAGE CODE 3PJY7 SHEET 2 OF 2