

ALUMINUM COMPATIBLE LASER WELDABLE MICRO-D CONNECTOR

- TRADITIONAL CONFIGURATION WITH THE FLANGE LOCATED AT THE MIDSECTION OF THE CONNECTOR
- DESIGNED TO LASER WELD INTO AN ELECTRONIC CHASSIS WALL
- CONFORMS TO MIL-DTL-83513 AND ARE AVAILABLE IN 9, 15, 21, 25, 31, 37, 51, AND 100 COUNT PIN/SOCKET CONFIGURATIONS.
- INCORPORATES BERYLLIUM-COPPER PIN/SOCKETS INDIVIDUALLY SEALED USING CERAMAX® PROPRIETARY CERAMIC TO ESTABLISH A DURABLE HERMETIC SEAL.
- THE INTERNAL PINS CAN BE CONFIGURED TO ACCEPT INSULATED WIRE, AUTOMATIC WIRE BONDS, RIBBON WELDS, OR SOLDER CONNECTIONS.

REVISIONS			
REV	CHANGE NO.	DATE	RELEASE APPROVAL
-	INIT RLSE	08/01/2004	/S/ DC
A	DCN000025	12/13/2004	/S/ DC
B	DCN000092	9/13/2005	JP
C	DCN000096	10/26/2005	JP
D	DCN000145	7/24/2006	J. PETRI
E	DCN000232	4/10/2007	J. PETRI
F	DCN000306	6/2/2008	J. PETRI
H	DCN000360	8/18/2008	J. PETRI
J	DCN000446	2/24/2009	J. PETRI
K	DCN000738	10/21/2010	J. PETRI
L	DCN001857	10/5/2016	

1. LEAK RATE: LESS THAN OR EQUAL TO 1X10E-9 CC/SEC He AT ONE ATMOSPHERE DIFFERENTIAL PRESSURE.
2. INTERFACE AND MOUNTING HOLES IN ACCORDANCE WITH MIL-DTL-83513/2. PERFORMANCE IN ACCORDANCE WITH MIL-DTL-83513, 3.5 (EXCEPT 3.5.17 DOES NOT APPLY).
3. MATERIALS:
 CONTACT: BERYLLIUM-COPPER ALLOY 172/173 IN ACCORDANCE WITH ASTM B196/197.
 INSULATOR: CERAMAX PROPRIETARY CERAMIC.
 WELD FLANGE: ALUMINUM ALLOY 4032 IN ACCORDANCE WITH ASTM B247.
 THREADED INSERTS: IN ACCORDANCE WITH NAS1130-02-15 (-9 THROUGH -51 CONFIGURATIONS) OR NAS1130-04-15 (-100 CONFIGURATION).
 INTERFACIAL SEAL: FLUOROSILICONE RUBBER PER AMS-R-25988, CLASS 1, TYPE 2, GRADE 50 OR 60.
4. FINISH:
 CONTACTS: NICKEL PLATE PER QQ-N-290, .000100 / .000250 THICK.
 GOLD PLATE PER ASTM B488, TYPE III, CODE A, .000050 / .000100 THICK.
 PLATE ENTIRE EXPOSED PIN, BOTH ENDS.
 PLATING IN SOCKETS NOT REQUIRED BENEATH BLEED HOLE.

 SHELL: CHEMICAL CONVERSION COAT IN ACCORDANCE WITH MIL-DTL-5541, TYPE I, CLASS 1A. (SEE TABLE 1)
5. ORDERING INSTRUCTIONS:
 SPECIFY BASE NUMBER FOLLOWED BY DASH NUMBERS INDICATING PIN COUNT AND PIN CONFIGURATION:

EXAMPLE: SRIMD101 - 25 - A 1 F L W

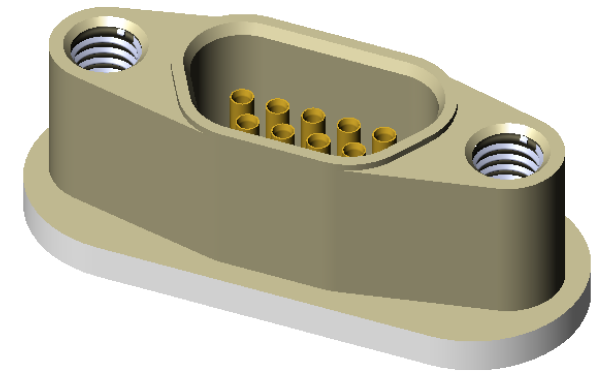
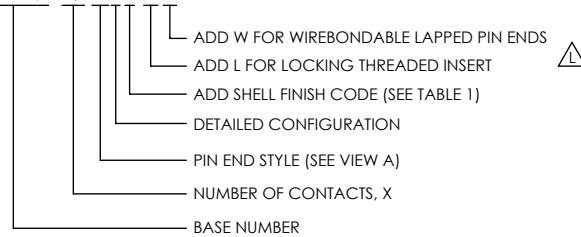
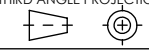


TABLE 1.

	MIL-DTL-5541 TYPE I, CLASS 1A
1	MIL-DTL-5541 TYPE I, CLASS 3
2	MIL-DTL-5541 TYPE II, CLASS 1A
3	MIL-DTL-5541 TYPE II, CLASS 3

DIMENSIONING IAW ASME Y14.5M-1994
 DIMENSIONS APPLY AFTER PROCESSES
 DIMENSIONS IAW US CUSTOMARY UNITS
 X ± .1, XX ± .01, XXX ± .005, $\angle \pm .5^\circ$
 .010 MAX OUTSIDE R, .005 MAX INSIDE R
 63 RMS SURFACE FINISH
 THIRD ANGLE PROJECTION



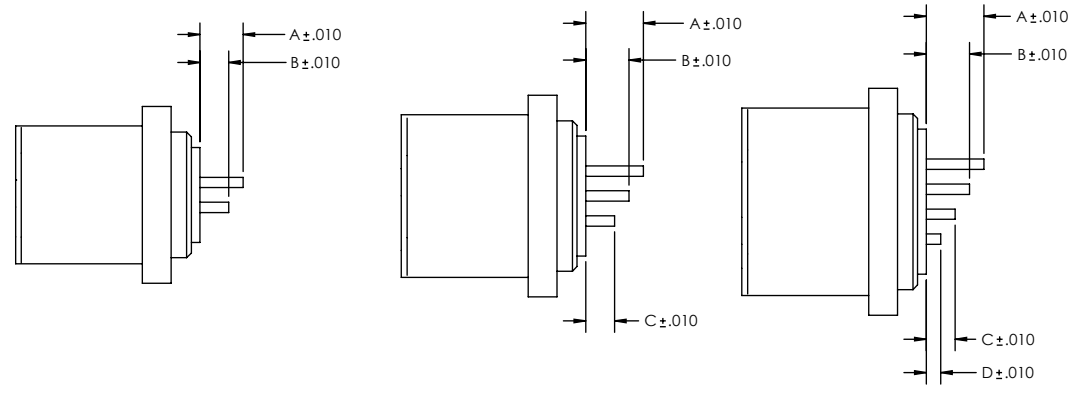
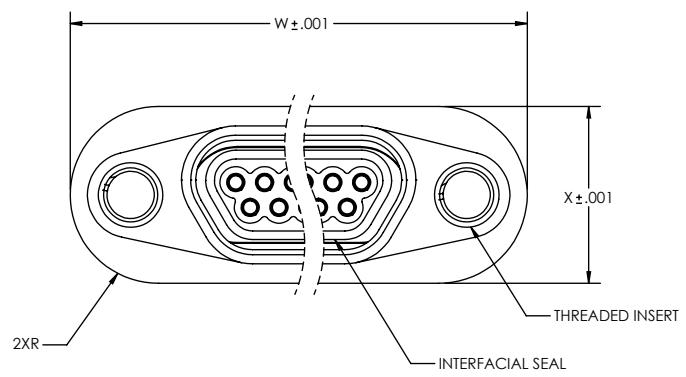
DO NOT SCALE DRAWING



(321) 254-4067
 www.srihermetics.com

TITLE CONNECTOR, MICRO-D, ALUMINUM LASER WELDABLE

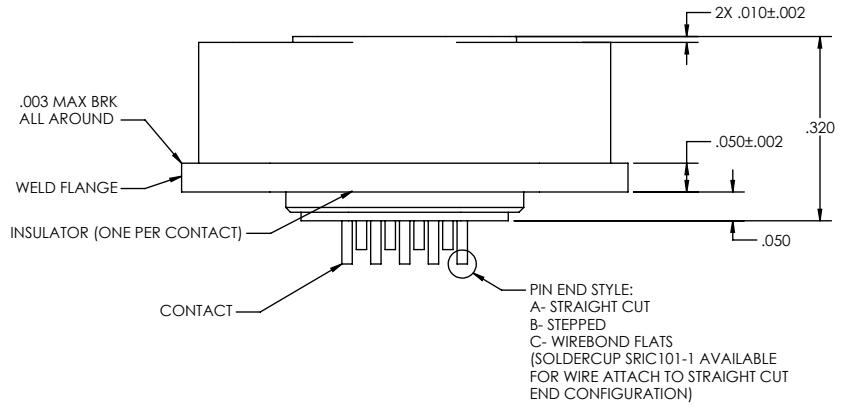
SIZE A	DOCUMENT SRIMD101	REV L
SCALE 3:1	CAGE CODE 3PJY7	SHEET 1 OF 3



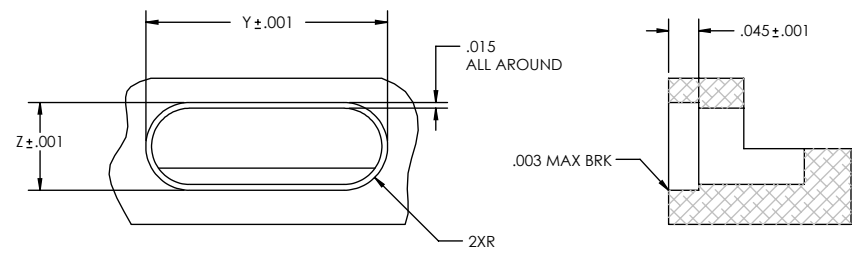
9-37 PIN CONFIGURATIONS
PIN EXTENSIONS (SEE SH 3)

51 PIN CONFIGURATION
PIN EXTENSIONS (SEE SH 3)

100 PIN CONFIGURATION
PIN EXTENSIONS (SEE SH 3)



VIEW A

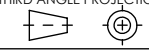


△ SUGGESTED HOLE DETAIL
(NOT TO SCALE)

△ TABLE 2.

NUMBER OF CONTACTS	W	X	Y	Z
9	0.775	0.307	0.778	0.310
15	0.925	0.307	0.928	0.310
21	1.075	0.307	1.078	0.310
25	1.175	0.307	1.178	0.310
31	1.325	0.307	1.328	0.310
37	1.475	0.307	1.478	0.310
51	1.425	0.350	1.428	0.353
100	2.012	0.393	2.015	0.396

DIMENSIONING IAW ASME Y14.5M-1994
DIMENSIONS APPLY AFTER PROCESSES
DIMENSIONS IAW US CUSTOMARY UNITS
X ± .1, XX ± .01, XXX ± .005, ∠ ± .5°
.010 MAX OUTSIDE R, .005 MAX INSIDE R
63 RMS SURFACE FINISH
THIRD ANGLE PROJECTION



DO NOT SCALE DRAWING

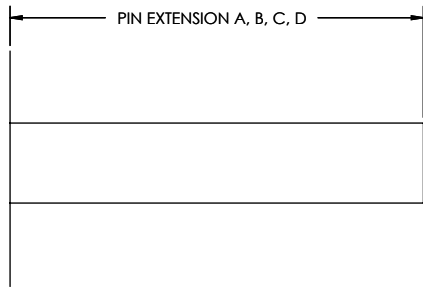


(321) 254-4067
www.srihermetics.com

TITLE
CONNECTOR, MICRO-D, ALUMINUM LASER WELDABLE

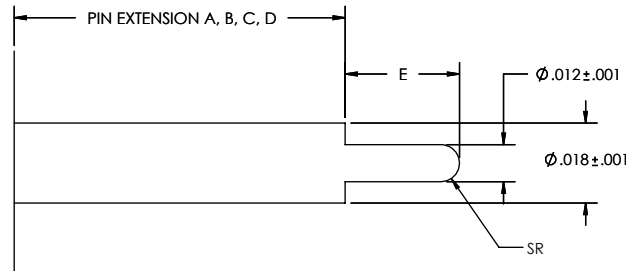
SIZE A	DOCUMENT SRIMD101	REV L
SCALE 3:1	CAGE CODE 3PJY7	SHEET 2 OF 3

STRAIGHT PIN END STYLE, A



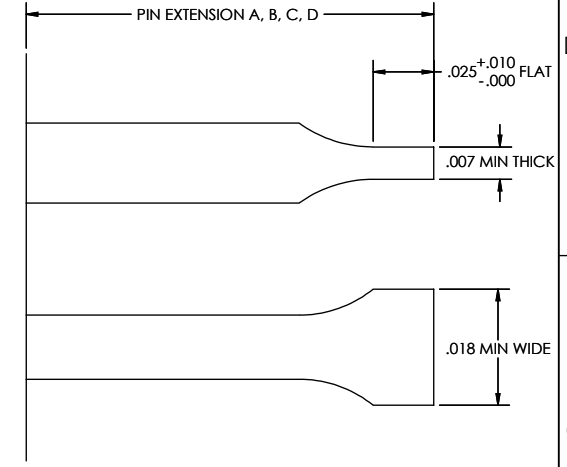
PART NUMBER	A	B	C	D	PIN END CONFIGURATION
SRIMD101 - X - A 1	0.040	0.040	0.040	0.040	FLAT
SRIMD101 - X - A 2	0.075	0.075	0.075	0.075	FLAT
SRIMD101 - X - A 3	0.118	0.118	0.118	0.118	FLAT
SRIMD101 - X - A 4	0.200	0.200	0.200	0.200	FLAT
SRIMD101 - X - A 5	0.180	0.180	0.180	0.180	FLAT
SRIMD101 - X - A 6	0.155	0.155	0.155	0.155	FLAT
SRIMD101 - X - A 7	0.219	0.219	0.219	0.219	FULL RADIUS
SRIMD101 - X - A 8	0.140	0.140	0.140	0.140	FULL RADIUS
SRIMD101 - X - A 9	0.050	0.050	0.050	0.050	FLAT
SRIMD101 - X - A 10	0.095	0.075	-	-	FLAT

STEPPED PIN END STYLE, B



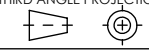
PART NUMBER	A	B	C	D	E
SRIMD101 - X - B 1	0.083	0.083	0.083	0.083	0.037
SRIMD101 - X - B 2	0.080	0.080	0.080	0.080	0.060
SRIMD101 - X - B 3	0.210	0.210	0.210	0.210	0.060

WIREBOND FLAT PIN END STYLE, C



PART NUMBER	A	B	C	D
SRIMD101 - X - C 1	0.110	0.075	-	-
SRIMD101 - X - C 2	0.110	0.060	-	-
SRIMD101 - X - C 3	0.110	0.050	-	-
SRIMD101 - X - C 4	0.100	0.160	-	-
SRIMD101 - X - C 5	0.050	0.110	-	-
SRIMD101 - X - C 6	0.110	0.090	-	-
SRIMD101 - X - C 7	0.080	0.050	-	-
SRIMD101 - X - C 8	0.050	0.080	0.110	-

DIMENSIONING IAW ASME Y14.5M-1994
 DIMENSIONS APPLY AFTER PROCESSES
 DIMENSIONS IAW US CUSTOMARY UNITS
 X ± .1, XX ± .01, XXX ± .005, $\angle \pm .5^{\circ}$
 .010 MAX OUTSIDE R, .005 MAX INSIDE R
 63 RMS SURFACE FINISH
 THIRD ANGLE PROJECTION



DO NOT SCALE DRAWING



(321) 254-4067
 www.srihermetics.com

TITLE
 CONNECTOR, MICRO-D, ALUMINUM LASER WELDABLE

SIZE	DOCUMENT	SRIMD101	REV
A			L
SCALE	3:1	CAGE CODE	3PJY7
		SHEET	3 OF 3