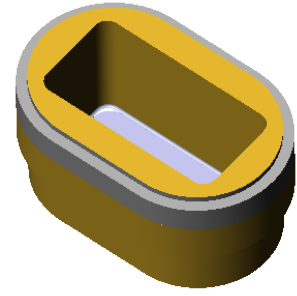


LASER WELDABLE WAVEGUIDE CONNECTOR

- INCORPORATES LOW LOSS ALUMINUM OXIDE WINDOW
- DESIGNED TO LASER WELD INTO AN ALUMINUM 4000 SERIES HOUSING

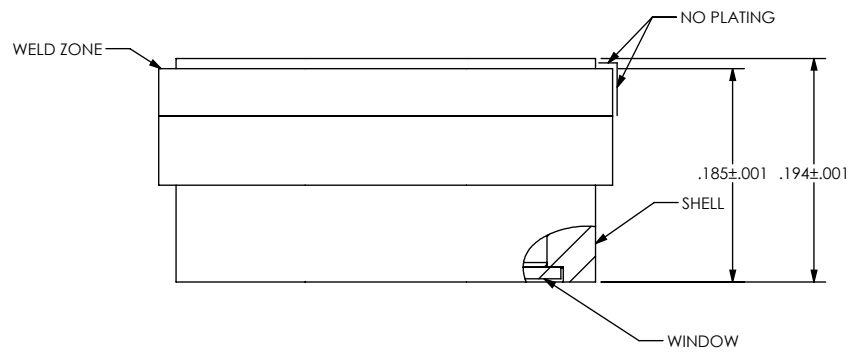
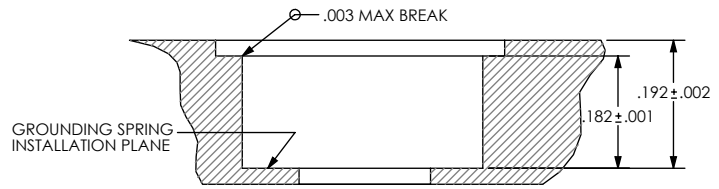
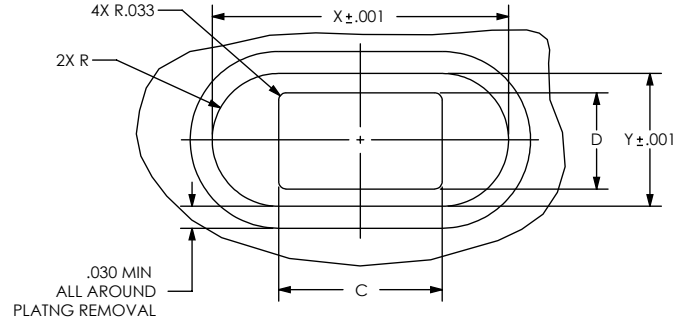
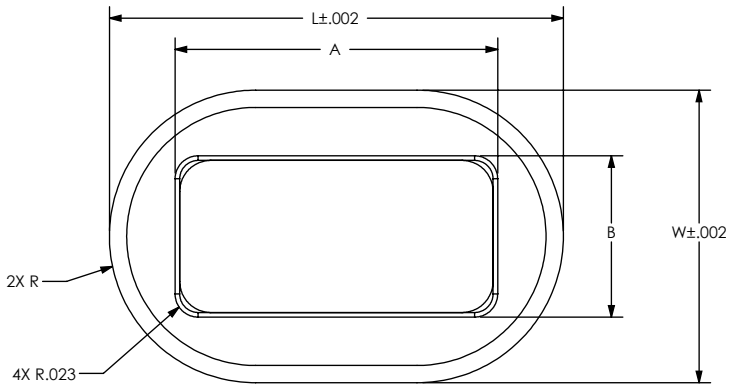
REVISIONS			
REV	DCN	REVISION DATE	RELEASE APPROVAL
-	INIT RLSE	2/19/2010	J. PETRI
A	DCN001722	3/31/2016	J. PETRI
B	DCN001878	11/16/2016	J. PETRI
C	DCN001998	9/5/2017	



- HERMETIC LEAK RATE: LESS THAN OR EQUAL TO 1X10E-9 CC/SEC He AT ONE ATMOSPHERE DIFFERENTIAL PRESSURE.
- OPERATING TEMPERATURE RANGE: -55°C TO +125°C
- MATERIALS:
SHELL (WELD ZONE): ALUMINUM ALLOY 4047
WINDOW: LOW LOSS ALUMINUM OXIDE (Al₂O₃)
- FINISH (SHELL): GOLD OVER NICKEL
- OPTIONAL GROUNDING SPRING AVAILABLE, FOR CONTINUOUS RF GROUND TO HOUSING
- ORDERING INSTRUCTIONS:
SPECIFY BASE NUMBER FOLLOWED BY DASH NUMBERS INDICATING WINDOW SIZE:

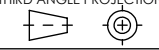
EXAMPLE: SRIFT601-WR28
 SRIFT601 - WINDOW DESIGNATION (U.S. EIA)
 WR28 - BASE NUMBER

PART NUMBER	L	W	A	B	X	Y	C	D	OPTIONAL GROUND SPRING
SRIFT601-WR15	0.362	0.188	0.148	0.074	0.365	0.191	0.224	0.074	SRIC137-WR15
SRIFT601-WR19	0.302	0.208	0.188	0.094	0.305	0.211	0.224	0.094	SRIC137-WR19
SRIFT601-WR22	0.338	0.226	0.224	0.112	0.341	0.229	0.224	0.112	SRIC137-WR22
SRIFT601-WR28	0.394	0.254	0.280	0.140	0.397	0.257	0.280	0.140	SRIC137-WR28
SRIFT601-WR34	0.470	0.284	0.340	0.170	0.473	0.287	0.340	0.170	SRIC137-WR34
SRIFT601-WR42	0.570	0.284	0.420	0.170	0.573	0.287	0.420	0.170	SRIC137-WR42
SRIFT601-WR51	0.750	0.425	0.510	0.311	0.753	0.428	0.510	0.311	SRIC137-WR51



SUGGESTED HOLE DETAIL (NOT TO SCALE)

DIMENSIONING IAW ASME Y14.5M-1994
 DIMENSIONS APPLY AFTER PROCESSES
 DIMENSIONS IAW US CUSTOMARY UNITS
 X±.1, XX±.01, XXX±.005, $\angle \pm .5^\circ$
 .010 MAX OUTSIDE R, .005 MAX INSIDE R
 63 RMS SURFACE FINISH
 THIRD ANGLE PROJECTION



SRI HERMETICS
 a division of WINCHESTER

(321) 254-4067
www.srihermetics.com

TITLE: CONNECTOR, WAVEGUIDE

SIZE: A DOCUMENT: SRIFT601 REV: C

SCALE: 4:1 CAGE CODE: 3PJY7 SHEET: 1 OF 1