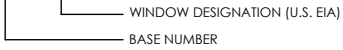


LASER WELDABLE WAVEGUIDE CONNECTOR

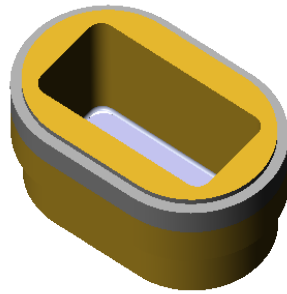
- INCORPORATES LOW LOSS ALUMINUM OXIDE WINDOW
- DESIGNED TO LASER WELD INTO AN ALUMINUM 4000 SERIES HOUSING

- HERMETIC LEAK RATE: LESS THAN OR EQUAL TO 1×10^{-9} CC/SEC He AT ONE ATMOSPHERE DIFFERENTIAL PRESSURE.
- OPERATING TEMPERATURE RANGE: -55°C TO $+125^{\circ}\text{C}$
- MATERIALS:
SHELL (WELD ZONE): ALUMINUM ALLOY 4047
WINDOW: LOW LOSS ALUMINUM OXIDE (Al₂O₃)
- FINISH (SHELL): GOLD OVER NICKEL
- OPTIONAL GROUNDING SPRING AVAILABLE, FOR CONTINUOUS RF GROUND TO HOUSING
- ORDERING INSTRUCTIONS:
SPECIFY BASE NUMBER FOLLOWED BY DASH NUMBERS INDICATING WINDOW SIZE:

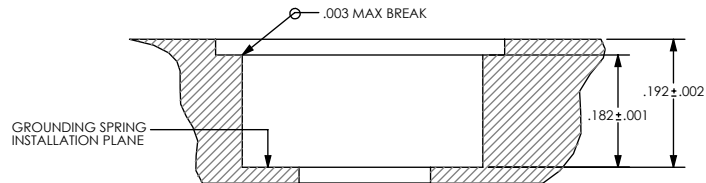
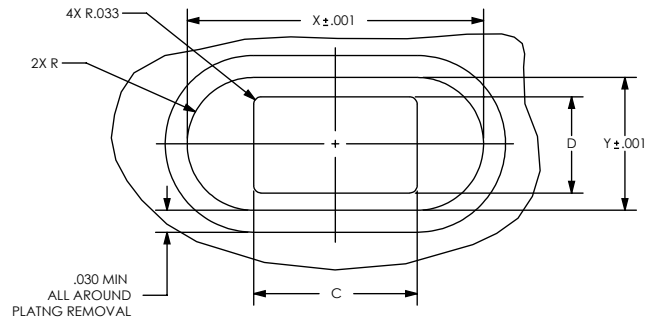
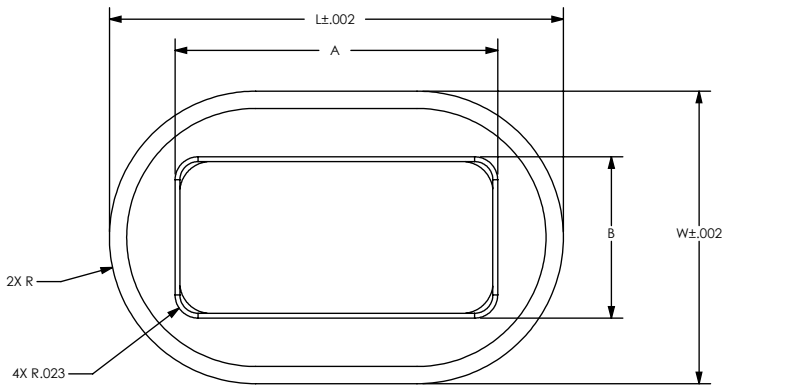
EXAMPLE: SRIFT601-WR28



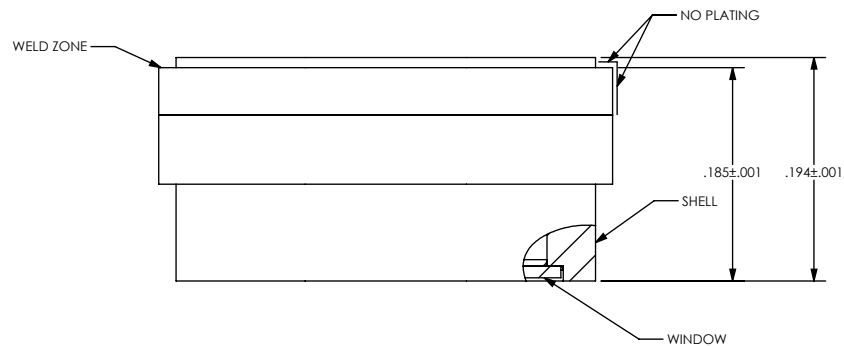
DOCUMENT SRIFT601			
REVISIONS			
REV	DCN	REVISION DATE	RELEASE APPROVAL
-	INIT RLSE	2/19/2010	J. PETRI
A	DCN001722	3/31/2016	J. PETRI
B	DCN001878	11/16/2016	



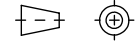
PART NUMBER	L	W	A	B	X	Y	C	D	OPTIONAL GROUND SPRING
SRIFT601-WR22	0.338	0.226	0.224	0.112	0.341	0.229	0.224	0.112	SRIC106-WR22
SRIFT601-WR28	0.394	0.254	0.280	0.140	0.397	0.257	0.280	0.140	SRIC106-WR28
SRIFT601-WR34	0.470	0.284	0.340	0.170	0.473	0.287	0.340	0.170	SRIC106-WR34
SRIFT601-WR42	0.570	0.284	0.420	0.170	0.573	0.287	0.420	0.170	SRIC106-WR42



SUGGESTED HOLE DETAIL
(NOT TO SCALE)



DIMENSIONING IAW ASME Y14.5M-1994
DIMENSIONS APPLY AFTER PROCESSES
DIMENSIONS IAW US CUSTOMARY UNITS
X±.1, XX±.01, XXX±.005, $\angle \pm 5^{\circ}$
.010 MAX OUTSIDE R, .005 MAX INSIDE R
63 RMS SURFACE FINISH
THIRD ANGLE PROJECTION



DO NOT SCALE DRAWING



(321) 254-4067
www.srihermetics.com

TITLE CONNECTOR, WAVEGUIDE			
SIZE A	DOCUMENT SRIFT601	REV B	
SCALE 4:1	CAGE CODE 3PJY7	SHEET 1 OF 1	