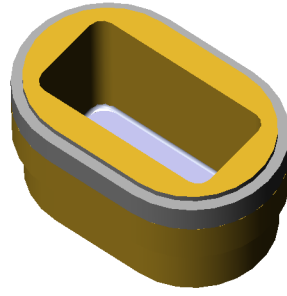


# LASER WELDABLE WAVEGUIDE CONNECTOR

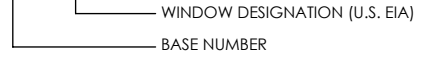
- INCORPORATES LOW LOSS ALUMINUM OXIDE WINDOW
- DESIGNED TO LASER WELD INTO AN ALUMINUM 4000 SERIES HOUSING

REV	CHANGE NO.	DATE	CFG APPROVAL
-	INIT RLSE	2/19/2010	J. PETRI
A	DCN001722	3/31/2016	

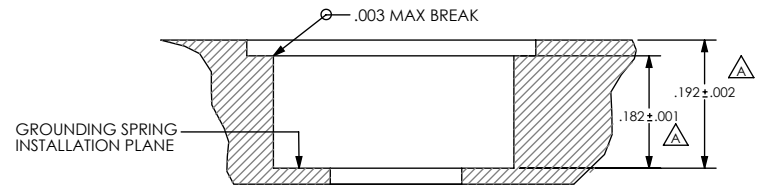
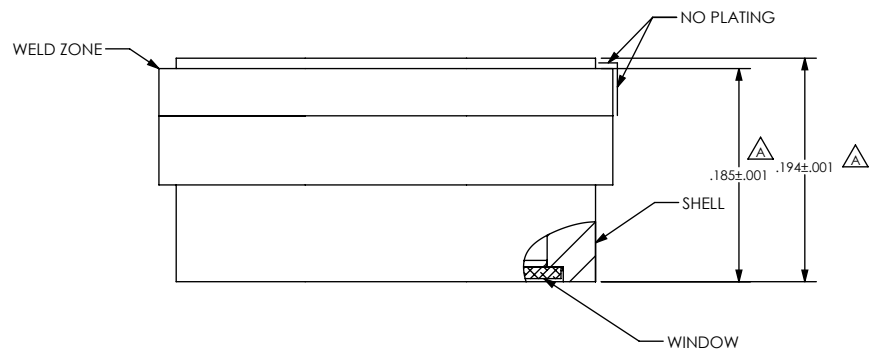
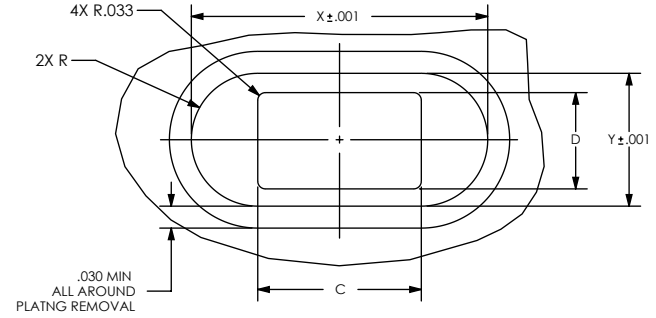
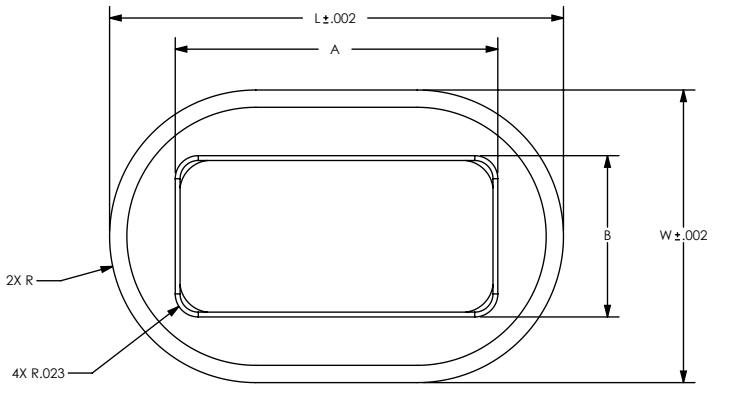


- HERMETIC LEAK RATE: LESS THAN OR EQUAL TO 1X10E-9 CC/SEC He AT ONE ATMOSPHERE DIFFERENTIAL PRESSURE.
- OPERATING TEMPERATURE RANGE: -55°C TO +125°C
- MATERIALS:  
SHELL (WELD ZONE): ALUMINUM ALLOY 4047  
WINDOW: LOW LOSS ALUMINUM OXIDE (Al<sub>2</sub>O<sub>3</sub>)
- FINISH (SHELL): GOLD OVER NICKEL
- OPTIONAL GROUNDING SPRING AVAILABLE, FOR CONTINUOUS RF GROUND TO HOUSING
- ORDERING INSTRUCTIONS:  
SPECIFY BASE NUMBER FOLLOWED BY DASH NUMBERS INDICATING WINDOW SIZE:

EXAMPLE: SRIFT601-WR28



PART NUMBER	L	W	A	B	X	Y	C	D	OPTIONAL GROUND SPRING
SRIFT601-WR22	0.338	0.226	0.224	0.112	0.341	0.229	0.224	0.112	SRIC106-WR22
SRIFT601-WR28	0.394	0.254	0.280	0.140	0.397	0.257	.280	.140	SRIC106-WR28
SRIFT601-WR42	0.570	0.284	0.420	0.170	0.573	0.287	0.420	0.170	SRIC106-WR42



SUGGESTED HOLE DETAIL  
(NOT TO SCALE)

UNLESS OTHERWISE SPECIFIED  
 DIMENSIONING IAW ASME Y14.5M-1994  
 DIMENSIONS APPLY AFTER PROCESSES  
 DIMENSIONS IAW US CUSTOMARY UNITS  
 .X ± .1, .XX ± .01, .XXX ± .005, ∠ ± .5°  
 .010 MAX OUTSIDE R, .005 MAX INSIDE R  
 125 RMS SURFACE FINISH

THIRD ANGLE PROJECTION

**SRI HERMETICS** (321) 254-4067  
 WWW.SRIHERMETICS.COM

TITLE: CONNECTOR, WAVEGUIDE

SIZE: A DOCUMENT: SRIFT601 REV: A

SCALE: 4:1 CAGE CODE: 3PJY7 SHEET: 1 OF 1