

# STAINLESS STEEL COMPATIBLE LASER WELDABLE 50 OHM FEEDTHROUGH SMA ADAPTABLE, .012, .015, .020 DIAMETER CENTER CONTACT

REVISIONS		RELEASE DATE	RELEASE APPROVAL
REV	DCN		
-	INIT RLSE	6/27/2014	<i>[Signature]</i>

- CONFIGURATION FOR INTERFACING TO PANEL JACK ADAPTER (SRI CONNECTOR GAGE PART NUMBER 21-150-1500-0, INSTALL AT 13 ± 1 LB-IN)
- DESIGNED TO LASER WELD INTO AN ELECTRONIC CHASSIS
- INDUSTRY STANDARD NICKEL-IRON-COBALT ALLOY CONTACT WITH CORNING 7070 EQUIVALENT GLASS
- INTEGRAL RF GROUNDING TAB FOR EXCELLENT PERFORMANCE OVER TEMPERATURE

1. LEAK RATE: LESS THAN OR EQUAL TO 1X10E-9 CC/SEC He AT ONE ATMOSPHERE DIFFERENTIAL PRESSURE.
2. NOMINAL IMPEDANCE: 50 OHMS
3. INTERFACE IN ACCORDANCE WITH MIL-STD-348, SMA.
4. MATES WITH .427 MIN LONG PANEL JACK.
5. MATERIALS:  
 PIN: NICKEL-IRON-COBALT ALLOY IN ACCORDANCE WITH ASTM F15.  
 DIELECTRIC: CORNING 7070 EQUIVALENT GLASS (LOW LOSS, MATCHED SEAL).  
 SHELL (WELD FLANGE): STAINLESS STEEL ALLOY 17-4PH.  
 RF GROUNDING SPRING: BERYLLIUM-COPPER ALLOY 172/173 IN ACCORDANCE WITH ASTM B 194 (NICKEL/GOLD PLATED)

6. FINISH:  
 EXCEPT WELD FLANGE: NICKEL PLATE PER QQ-N-290, CLASS 2, .000100/.000250 THICK  
 GOLD PLATE PER ASTM B488, TYPE III, CODE A, .000050/.000100 THICK.
7. ORDERING INSTRUCTIONS:  
 SPECIFY BASE NUMBER FOLLOWED BY DASH NUMBERS INDICATING PIN DIAMETER, D, PIN LENGTH, L, AND DIELECTRIC TYPE:

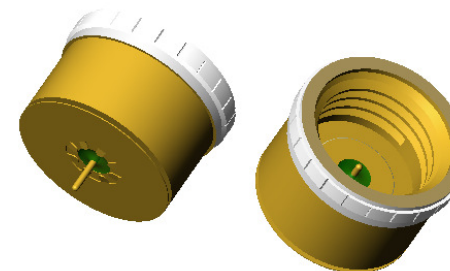
EXAMPLE: SRIFT529 - 015 - 045 - A

A=GROUNDING SPRING FOR AIR DIELECTRIC  
 T=GROUNDING SPRING FOR TEFLON DIELECTRIC

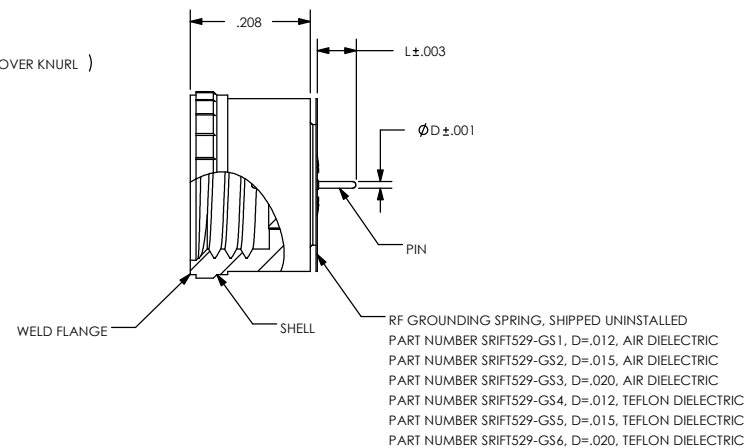
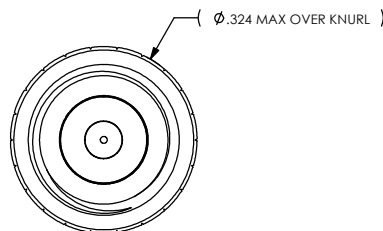
PIN LENGTH, L=.045 (.035 MIN)

PIN DIAMETER, D=.015 (.012, .015, OR .020)

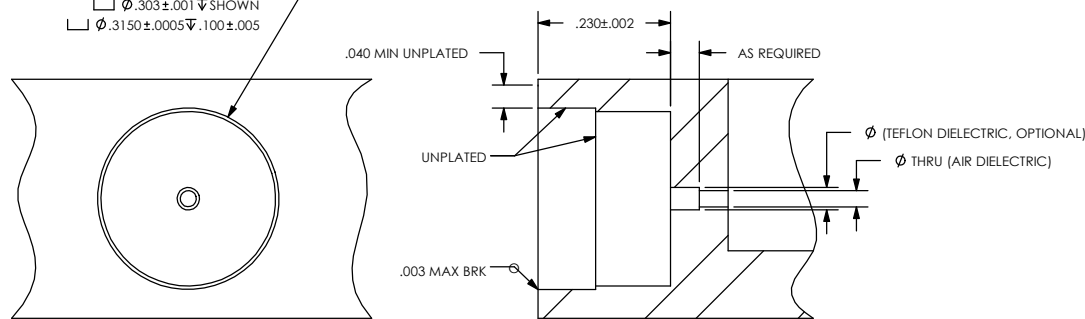
BASE NUMBER



VIEWS FOR REFERENCE ONLY



Ø B ± .001 THRU (AIR DIELECTRIC)  
 □ □ Ø C ± .001 AS REQUIRED (TEFLON DIELECTRIC)  
 □ □ Ø .303 ± .001 SHOWN  
 □ □ Ø .3150 ± .0005 THRU .100 ± .005



RECOMMENDED HOLE DETAIL

PART NUMBER	D	B	C
SRIFT529-012-XXX-A	.012	.0280	.0390
SRIFT529-012-XXX-T	.012	.0280	.0390
SRIFT529-015-XXX-A	.015	.0345	.0490
SRIFT529-015-XXX-T	.015	.0345	.0490
SRIFT529-020-XXX-A	.020	.0460	.0650
SRIFT529-020-XXX-T	.020	.0460	.0650

UNLESS OTHERWISE SPECIFIED

DIMENSIONING IAW ASME Y14.5M-1994  
 DIMENSIONS APPLY AFTER PROCESSES  
 DIMENSIONS IAW US CUSTOMARY UNITS  
 .X ± .1, .XX ± .01, .XXX ± .005, ∠ ± .5°  
 .010 MAX OUTSIDE R, .005 MAX INSIDE R  
 125 RMS SURFACE FINISH

**SRI HERMETICS** (321) 254-4067  
 WWW.SRIHERMETICS.COM

TITLE: CONNECTOR, SMA, STAINLESS STEEL LASER WELDABLE

THIRD ANGLE PROJECTION

SIZE A	DOCUMENT	SRIFT529	REV -
SCALE 3:1	CAGE CODE	3PJY7	SHEET 1 OF 1