

TITANIUM COMPATIBLE LASER WELDABLE 50 OHM FEEDTHROUGH SMA ADAPTABLE, .012, .015, .020 DIAMETER CENTER CONTACT

REVISIONS			
REV	DCN	REVISION DATE	RELEASE APPROVAL
-	INIT RLSE	8/20/2014	<i>[Signature]</i>

- CONFIGURATION FOR INTERFACING TO PANEL JACK ADAPTER (SRI CONNECTOR GAGE PART NUMBER 21-150-1500-0, INSTALL AT 13±1 LB-IN)
- DESIGNED TO LASER WELD INTO AN ELECTRONIC CHASSIS
- INDUSTRY STANDARD NICKEL-IRON-COBALT ALLOY CONTACT WITH CORNING 7070 EQUIVALENT GLASS
- INTEGRAL RF GROUNDING TAB FOR EXCELLENT PERFORMANCE OVER TEMPERATURE

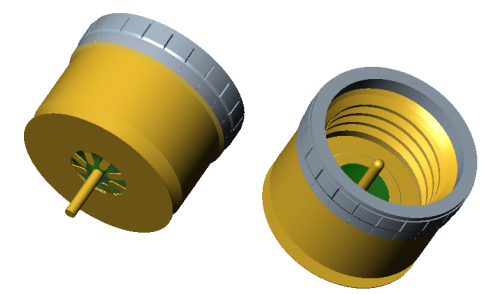
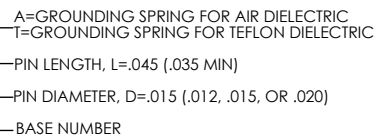
1. LEAK RATE: LESS THAN OR EQUAL TO 1X10E-9 CC/SEC He AT ONE ATMOSPHERE DIFFERENTIAL PRESSURE.
2. NOMINAL IMPEDANCE: 50 OHMS
3. INTERFACE IN ACCORDANCE WITH MIL-STD-348, SMA.
4. MATES WITH .427 MIN LONG PANEL JACK.

5. MATERIALS:
 PIN: NICKEL-IRON-COBALT ALLOY IN ACCORDANCE WITH ASTM F15.
 DIELECTRIC: CORNING 7070 EQUIVALENT GLASS (LOW LOSS, MATCHED SEAL).
 SHELL (WELD FLANGE): TITANIUM GRADE 2 (UNALLOYED) IN ACCORDANCE WITH ASTM B265.
 RF GROUNDING SPRING: BERYLLIUM-COPPER ALLOY 172/173 IN ACCORDANCE WITH ASTM B 194 (NICKEL/GOLD PLATED)

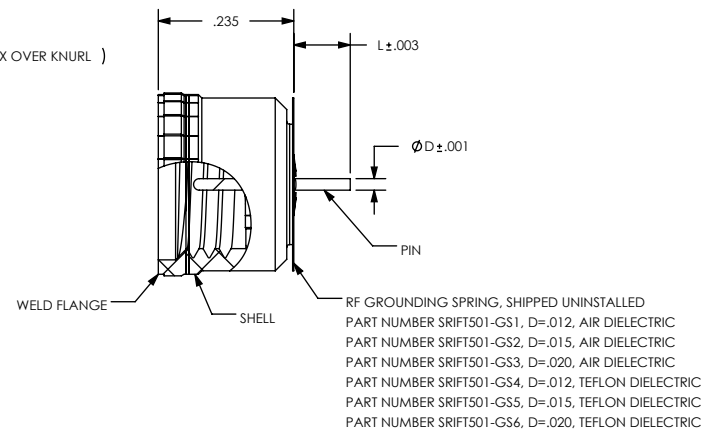
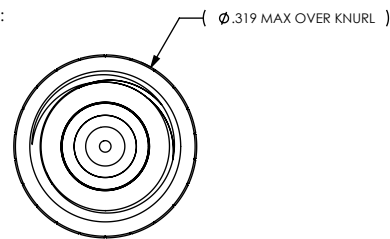
6. FINISH:
 EXCEPT WELD FLANGE: NICKEL PLATE PER QQ-N-290, CLASS 2, .000100/.000250 THICK
 GOLD PLATE PER ASTM B488-01, TYPE III, CODE A, .000050/.000100 THICK.

7. ORDERING INSTRUCTIONS:
 SPECIFY BASE NUMBER FOLLOWED BY DASH NUMBERS INDICATING PIN DIAMETER, D, PIN LENGTH, L, AND DIELECTRIC TYPE:

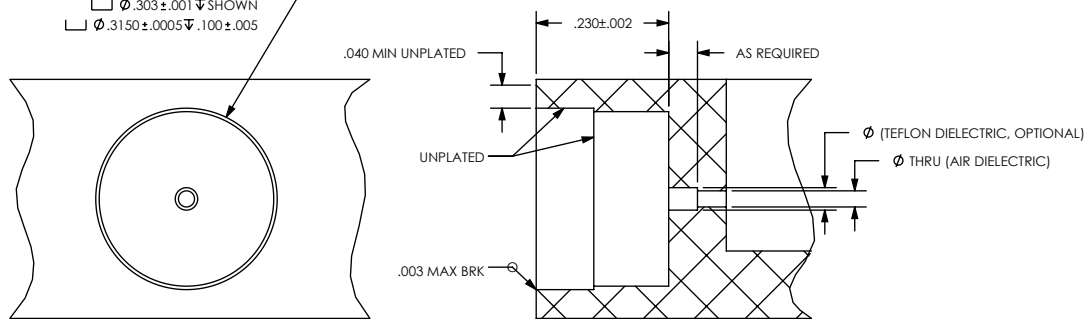
EXAMPLE: SRIFT524 - 015 - 045 - A



VIEWS FOR REFERENCE ONLY



- ØB±.001 THRU (AIR DIELECTRIC)
- ØC±.001 AS REQUIRED (TEFLON DIELECTRIC)
- Ø.303±.001 SHOWN
- Ø.3150±.0005±.100±.005



RECOMMENDED HOLE DETAIL

PART NUMBER	D	B	C
SRIFT524-012-XXX-A	.012	.0280	.0390
SRIFT524-012-XXX-T	.012	.0280	.0390
SRIFT524-015-XXX-A	.015	.0345	.0490
SRIFT524-015-XXX-T	.015	.0345	.0490
SRIFT524-020-XXX-A	.020	.0460	.0650
SRIFT524-020-XXX-T	.020	.0460	.0650

UNLESS OTHERWISE SPECIFIED
 DIMENSIONING IAW ASME Y14.5M-1994
 DIMENSIONS APPLY AFTER PROCESSES
 DIMENSIONS IAW US CUSTOMARY UNITS
 .X±.1, .XX±.01, .XXX±.005, ∠±.5°
 .010 MAX OUTSIDE R, .005 MAX INSIDE R
 125 RMS SURFACE FINISH

SRI HERMETICS (321) 254-4067
 WWW.SRIHERMETICS.COM

TITLE: CONNECTOR, SMA, TC LBW, PRESS-IN

THIRD ANGLE PROJECTION

SIZE A	DOCUMENT	SRIFT524	REV -
SCALE 3:1	CAGE CODE	3PJY7	SHEET 1 OF 1