

ALUMINUM COMPATIBLE LASER WELDABLE 50 OHM FEEDTHROUGH MALE JACK ADAPTABLE (THREADED), .020 DIAMETER CONTACT

REVISIONS			
REV	CHANGE NO.	DATE	APPROVED
-	INIT RLSE	----	JP
A	DCN000565	10/15/2009	J. PETRI

- CONFIGURATION FOR INTERFACING MALE-MALE JACK ADAPTER (THREADED BARREL)
- DESIGNED TO LASER WELD INTO AN ELECTRONIC CHASSIS WALL
- INDUSTRY STANDARD NICKEL-IRON-COBALT ALLOY CONTACT WITH CORNING 7070 EQUIVALENT GLASS
- INTEGRAL RF GROUNDING TAB FOR EXCELLENT PERFORMANCE OVER TEMPERATURE

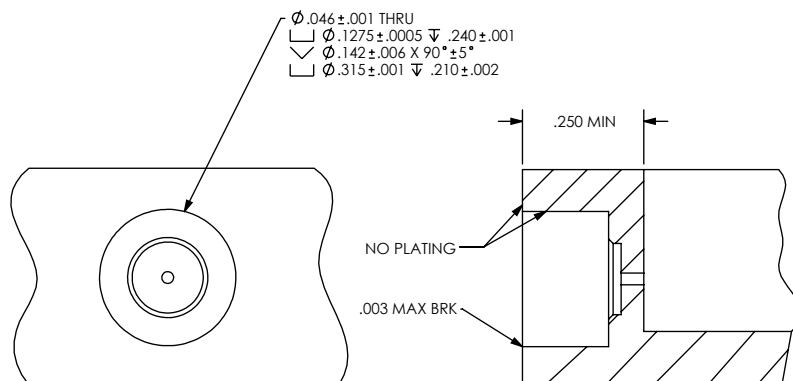
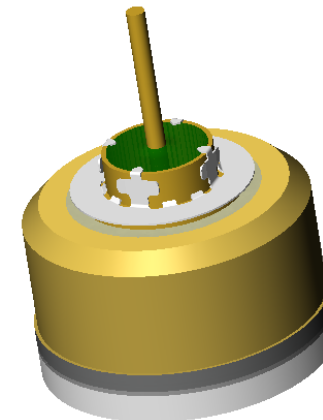
1. LEAK RATE: LESS THAN OR EQUAL TO 1X10E-9 CC/SEC He AT ONE ATMOSPHERE DIFFERENTIAL PRESSURE.
2. NOMINAL IMPEDANCE: 50 OHMS
3. INTERFACE FOR MALE-MALE JACK ADAPTER (THREADED BARREL).
4. MATERIALS:
 CONTACT: NICKEL-IRON-COBALT ALLOY IN ACCORDANCE WITH ASTM F15.
 DIELECTRIC: CORNING 7070 EQUIVALENT GLASS (MATCHED SEAL).
 SHELL: ALUMINUM ALLOY 4047 IN ACCORDANCE WITH AWS A5.8.
 RF GROUNDING SPRING: STAINLESS STEEL ALLOY 300-SERIES.

5. FINISH:
 CONTACTS: NICKEL PLATE PER QQ-N-290, CLASS 2, .000100/.000250 THICK.
 GOLD PLATE PER ASTM B488-01, TYPE III, CODE A, .000050 / .000100 THICK.

6. ORDERING INSTRUCTIONS:
 SPECIFY BASE NUMBER FOLLOWED BY DASH NUMBERS INDICATING CONFIGURATION:

EXAMPLE: SRIFT503 - 046

PIN LENGTH=.046 (.035 TO .200)
 BASE NUMBER

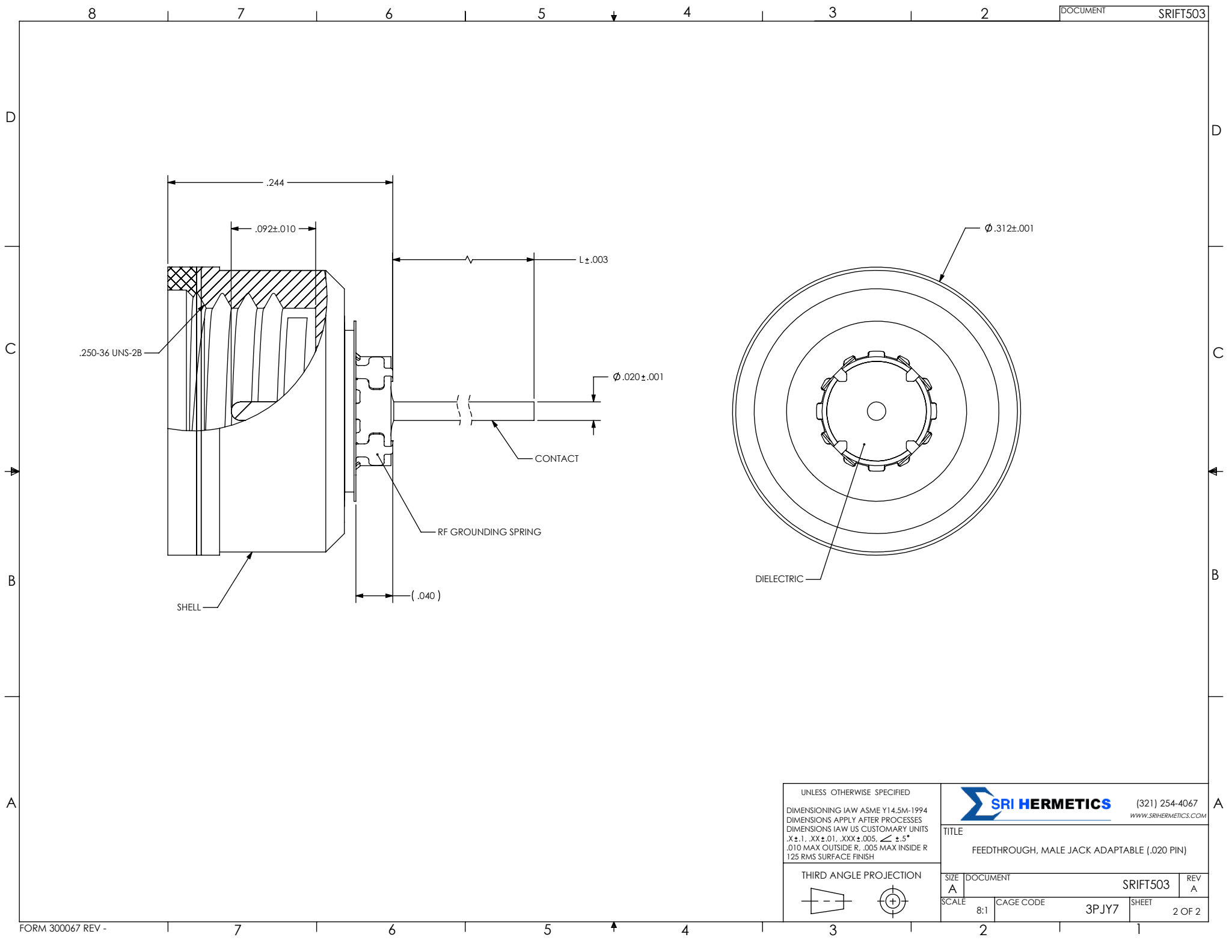



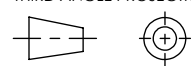
- ∅.046 ±.001 THRU
- ∅.1275 ±.0005 ∇ .240 ±.001
- ∅.142 ±.006 X 90° ±5°
- ∅.315 ±.001 ∇ .210 ±.002

NO PLATING
 .003 MAX BRK

HOLE DETAIL

UNLESS OTHERWISE SPECIFIED		(321) 254-4067 WWW.SRIHERMETICS.COM	
DIMENSIONING IAW ASME Y14.5M-1994 DIMENSIONS APPLY AFTER PROCESSES DIMENSIONS IAW US CUSTOMARY UNITS .X ±.1, .XX ±.01, .XXX ±.005, ∠ ±.5° .010 MAX OUTSIDE R, .005 MAX INSIDE R 125 RMS SURFACE FINISH		TITLE FEEDTHROUGH, MALE JACK ADAPTABLE (.020 PIN)	
THIRD ANGLE PROJECTION		SIZE A	DOCUMENT SRIFT503
		SCALE 1:2	REV A
		CAGE CODE 3PJY7	SHEET 1 OF 2



UNLESS OTHERWISE SPECIFIED DIMENSIONING IAW ASME Y14.5M-1994 DIMENSIONS APPLY AFTER PROCESSES DIMENSIONS IAW US CUSTOMARY UNITS .X±.1, .XX±.01, .XXX±.005, ∠±.5° .010 MAX OUTSIDE R, .005 MAX INSIDE R 125 RMS SURFACE FINISH		 (321) 254-4067 WWW.SRIHERMETICS.COM	
THIRD ANGLE PROJECTION 		TITLE FEEDTHROUGH, MALE JACK ADAPTABLE (.020 PIN)	
SIZE A	DOCUMENT	SRIFT503	REV A
SCALE 8:1	CAGE CODE	3PJY7	SHEET 2 OF 2