

ALUMINUM COMPATIBLE LASER WELDABLE 50 OHM FEEDTHROUGH FLANGE MOUNT ADAPTABLE, .012/.015/.020 DIAMETER CENTER CONTACT

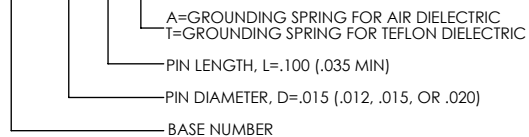
REVISIONS			
REV	CHANGE NO.	DATE	CFG APPROVAL
-	INIT RLSE	2008-09-08	J. PETRI
A	DCN000375	9/26/2008	J. PETRI
B	DCN000685	7/14/2010	J. PETRI
C	DCN001373	6/12/2014	J. PETRI

- CONFIGURATION FOR INTERFACING TO FLANGE ADAPTERS
- DESIGNED TO LASER WELD INTO AN ELECTRONIC CHASSIS
- INDUSTRY STANDARD NICKEL-IRON-COBALT ALLOY CONTACT WITH CORNING 7070 EQUIVALENT GLASS
- INTEGRAL RF GROUNDING TAB FOR EXCELLENT PERFORMANCE OVER TEMPERATURE

- LEAK RATE: LESS THAN OR EQUAL TO 1×10^{-9} CC/SEC He AT ONE ATMOSPHERE DIFFERENTIAL PRESSURE.
- NOMINAL IMPEDANCE: 50 OHMS
- MATERIALS:
 PIN: NICKEL-IRON-COBALT ALLOY IN ACCORDANCE WITH ASTM F15.
 DIELECTRIC: CORNING 7070 EQUIVALENT GLASS (LOW LOSS, MATCHED SEAL).
 SHELL (WELD FLANGE): ALUMINUM ALLOY 4047 IN ACCORDANCE WITH AWS A5.8.
 RF GROUNDING SPRING: BERYLLIUM-COPPER ALLOY 172 OR 173 IN ACCORDANCE WITH ASTM B194 (NICKEL/GOLD PLATED).
 INSULATOR: POLYTETRAFLUOROETHYLENE (PTFE).
- FINISH:
 EXCEPT WELD FLANGE: NICKEL PLATE PER QQ-N-290, CLASS 2, .000100/.000250 THICK
 GOLD PLATE PER ASTM B488-01, TYPE III, CODE A, .000050/.000100 THICK.

5. ORDERING INSTRUCTIONS:
 SPECIFY BASE NUMBER FOLLOWED BY DASH NUMBERS INDICATING PIN DIAMETER, D AND PIN LENGTH, L:

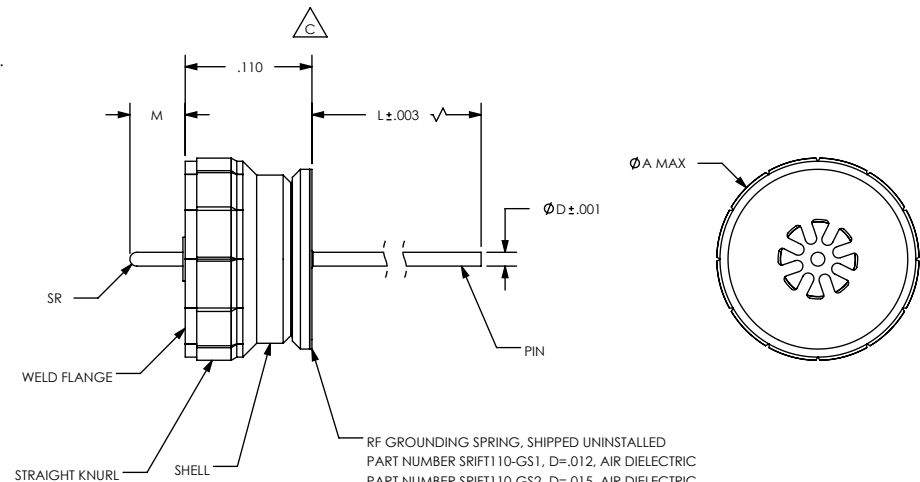
EXAMPLE: SRIFT110-015-100-A



6. HOLE DEPTH IS DEPENDENT ON MATING BOLT-ON FLANGE STYLE. CONTACT SRI HERMETICS ENGINEERING FOR DESIGN ASSISTANCE.

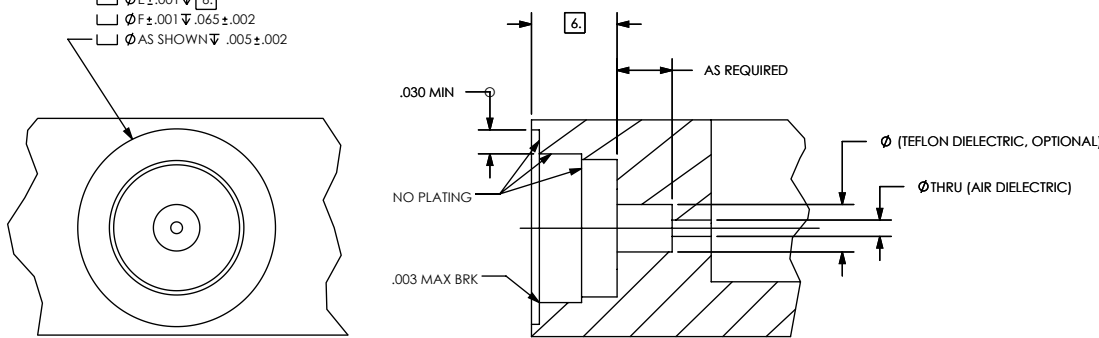


VIEWS FOR REFERENCE ONLY
 SCALE 2:1



- PART NUMBER SRIFT110-GS1, D=.012, AIR DIELECTRIC
- PART NUMBER SRIFT110-GS2, D=.015, AIR DIELECTRIC
- PART NUMBER SRIFT110-GS3, D=.020, AIR DIELECTRIC
- PART NUMBER SRIFT110-GS4, D=.012, TEFLON DIELECTRIC
- PART NUMBER SRIFT110-GS5, D=.015, TEFLON DIELECTRIC
- PART NUMBER SRIFT110-GS6, D=.020, TEFLON DIELECTRIC

- ØB±.001 THRU (AIR DIELECTRIC)
- ØC±.001 AS REQUIRED (TEFLON DIELECTRIC)
- ØE±.001 [6]
- ØF±.001 [6]
- ØAS SHOWN [6]



RECOMMENDED HOLE DETAIL
 NOT TO SCALE

PART NUMBER	D	A	B	C	E	F	M
SRIFT110-012-XXX-A	0.012	0.177	0.028	0.039	0.159	0.173	0.048
SRIFT110-012-XXX-T	0.012	0.177	0.028	0.039	0.159	0.173	0.048
SRIFT110-015-XXX-A	0.015	0.193	0.035	0.049	0.178	0.189	0.060
SRIFT110-015-XXX-T	0.015	0.193	0.035	0.049	0.178	0.189	0.060
SRIFT110-020-XXX-A	0.020	0.220	0.046	0.065	0.203	0.216	0.060
SRIFT110-020-XXX-T	0.020	0.220	0.046	0.065	0.203	0.216	0.060

UNLESS OTHERWISE SPECIFIED
 DIMENSIONING IAW ASME Y14.5M-1994
 DIMENSIONS APPLY AFTER PROCESSES
 DIMENSIONS IAW US CUSTOMARY UNITS
 .X±.1, .XX±.01, .XXX±.005, $\angle \pm 5^\circ$
 .010 MAX OUTSIDE R, .005 MAX INSIDE R
 125 RMS SURFACE FINISH

THIRD ANGLE PROJECTION

SRI HERMETICS (321) 254-4067
 WWW.SRIHERMETICS.COM

TITLE: CONNECTOR, FMA, ALUMINUM LASER WELDABLE

SIZE A DOCUMENT SRIFT110 REV C
 SCALE 6:1 CAGE CODE 3PJY7 SHEET 1 OF 1