

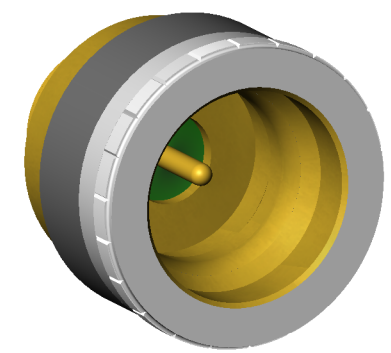
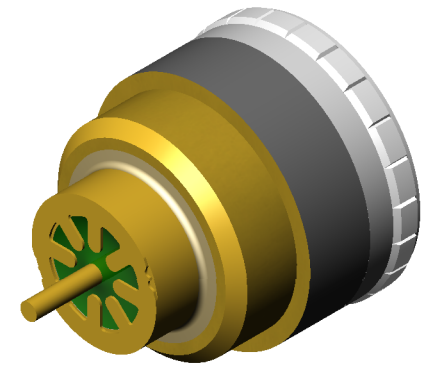
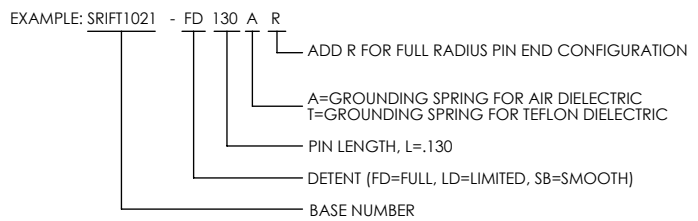
ALUMINUM COMPATIBLE LASER WELDABLE 50 OHM FEEDTHROUGH SMP ADAPTABLE, .015 DIAMETER CENTER CONTACT, PRESS-IN

REVISIONS			
REV	DCN	REV DATE	RELEASE APPROVAL
-	INIT RLSE	2011-06-28	J. PETRI
A	DCN001209	2013-10-15	J. PETRI
B	DCN001838	9/12/2016	

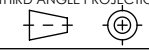
- CONFIGURATION FOR INTERFACING TO SMP "BULLET" STYLE ADAPTER
- DESIGNED TO LASER WELD INTO AN ELECTRONIC CHASSIS WALL
- INDUSTRY STANDARD NICKEL-IRON-COBALT ALLOY CONTACT WITH CORNING 7070 EQUIVALENT GLASS
- INTEGRAL RF GROUNDING TAB FOR EXCELLENT PERFORMANCE OVER TEMPERATURE
- DROP-IN HIGHER PERFORMANCE REPLACEMENT FOR SRIFT1001 STYLE CONNECTORS.

1. LEAK RATE: LESS THAN OR EQUAL TO 1×10^{-9} CC/SEC H_e AT ONE ATMOSPHERE DIFFERENTIAL PRESSURE.
2. NOMINAL IMPEDANCE: 50 OHMS
3. INTERFACE IN ACCORDANCE WITH MIL-STD-348, SMP, INCORPORATES LOW-INSERTION FORCE, DEBRIS LIMITING FEATURE. \triangle
4. PERFORMANCE: VSWR (TYP) 1.4:1 TO 30 GHZ.
5. MATERIALS:
 PIN: NICKEL-IRON-COBALT ALLOY IN ACCORDANCE WITH ASTM F15
 DIELECTRIC: CORNING 7070 EQUIVALENT GLASS (MATCHED SEAL)
 SHELL (WELD FLANGE): ALUMINUM ALLOY 4047 IN ACCORDANCE WITH AWS A5.8
 RF GROUNDING SPRING: BERYLLIUM-COPPER ALLOY 172/173 IN ACCORDANCE WITH ASTM B 194 (NICKEL AND GOLD PLATED)
6. FINISH, CONTACT AND SHELL (EXCEPT WELD FLANGE):
 NICKEL PLATE PER QQ-N-290, CLASS 2, .000100/.000250 THICK.
 GOLD PLATE PER ASTM B488, TYPE III, CODE A, .000050/.000150 THICK.

7. ORDERING INSTRUCTIONS:
 SPECIFY BASE NUMBER FOLLOWED BY DASH NUMBERS INDICATING DETENT TYPE, PIN LENGTH, AND DIELECTRIC APPLICATION.



DIMENSIONING IAW ASME Y14.5M-1994
 DIMENSIONS APPLY AFTER PROCESSES
 DIMENSIONS IAW US CUSTOMARY UNITS
 X ± .1, XX ± .01, XXX ± .005, ∠ ± .5°
 .010 MAX OUTSIDE R, .005 MAX INSIDE R
 63 RMS SURFACE FINISH
 THIRD ANGLE PROJECTION



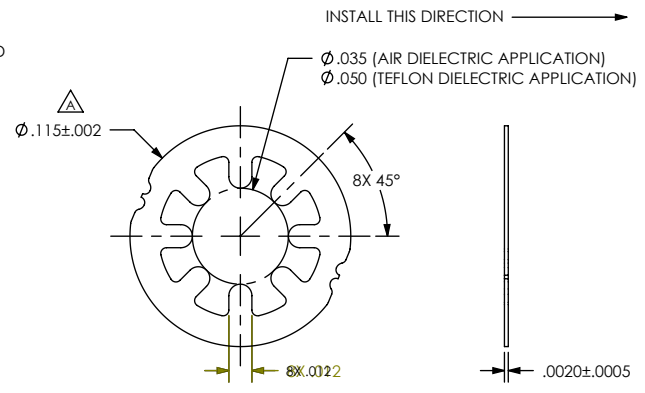
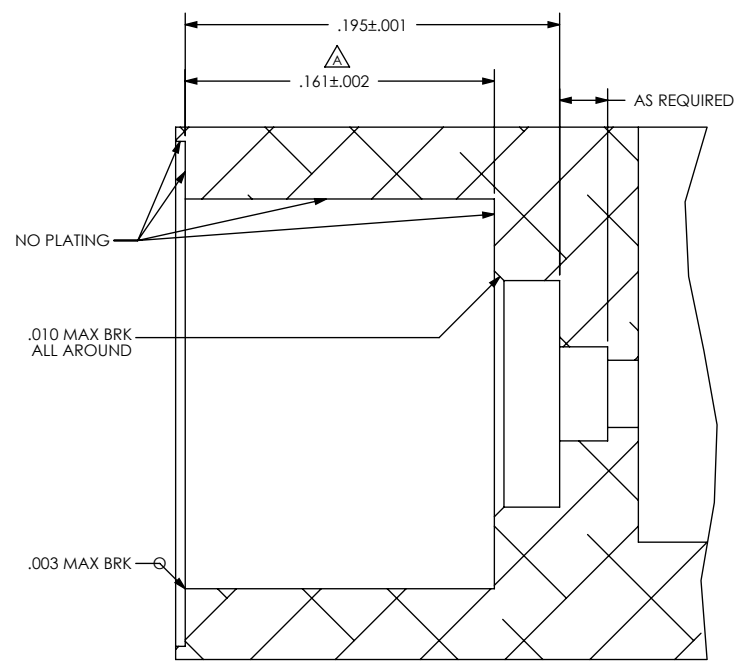
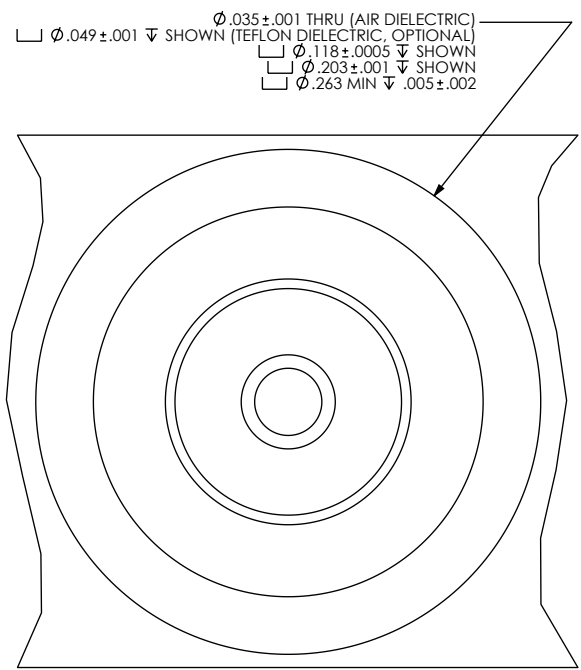
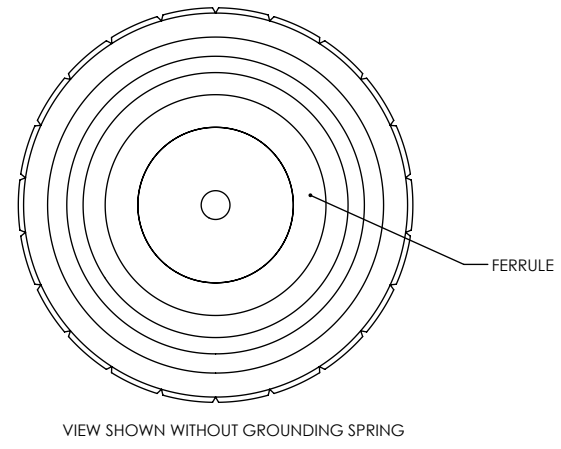
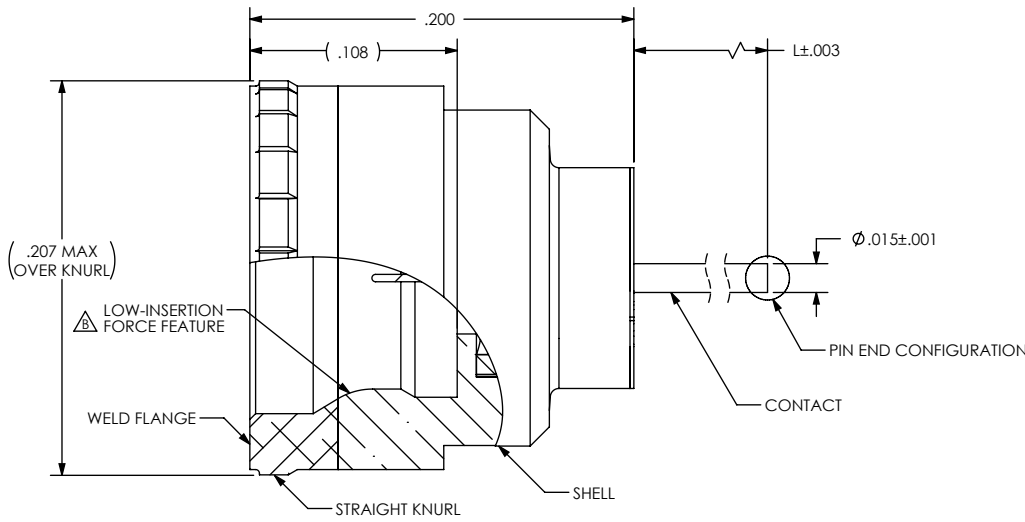
DO NOT SCALE DRAWING



(321) 254-4067
 www.srihermetics.com

TITLE FEEDTHROUGH, SMP, AC LBW, PRESS-IN

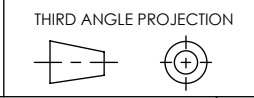
SIZE A	DOCUMENT SRIFT1021	REV B
SCALE 8:1	CAGE CODE 3PJY7	SHEET 1 OF 2



RF GROUNDING SPRING, SHIPPED UNINSTALLED
 PART NUMBER SRIFT1021-GS1, AIR DIELECTRIC
 PART NUMBER SRIFT1021-GS2, TEFLON DIELECTRIC

SUGGESTED HOLE DETAIL

UNLESS OTHERWISE SPECIFIED
 DIMENSIONING IAW ASME Y14.5M-1994
 DIMENSIONS APPLY AFTER PROCESSES
 DIMENSIONS IAW US CUSTOMARY UNITS
 .X±.1, .XX±.01, .XXX±.005, ∠±.5°
 .010 MAX OUTSIDE R, .005 MAX INSIDE R
 125 RMS SURFACE FINISH



		(321) 254-4067 WWW.SRIHERMETICS.COM	
FEEDTHROUGH, SMP, AC LBW, PRESS-IN		SIZE	DOCUMENT
A	SRIFT1021	SCALE	REV B
10:1	CAGE CODE	3PJY7	SHEET
			2 OF 2