
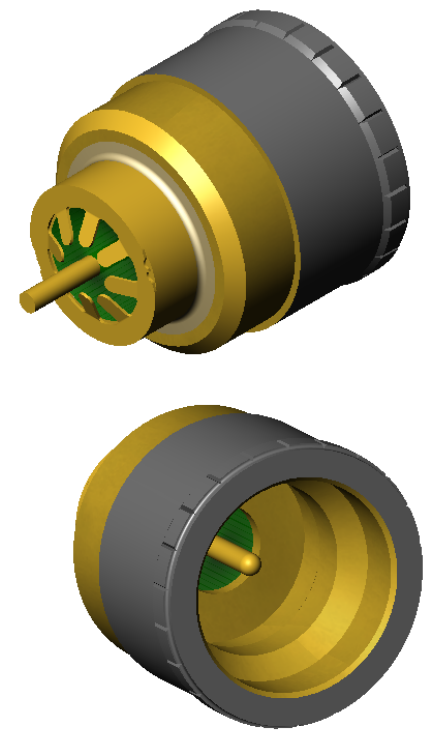
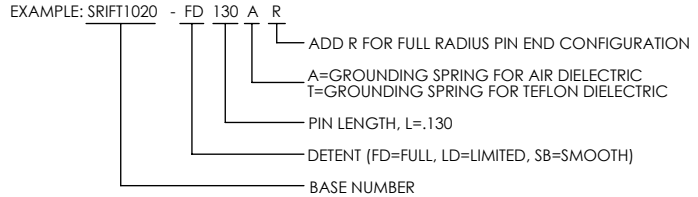



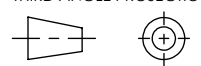
TITANIUM COMPATIBLE LASER WELDABLE 50 OHM FEEDTHROUGH SMP ADAPTABLE, .015 DIAMETER CENTER CONTACT, PRESS-IN

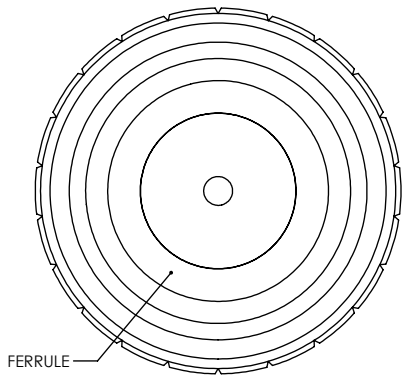
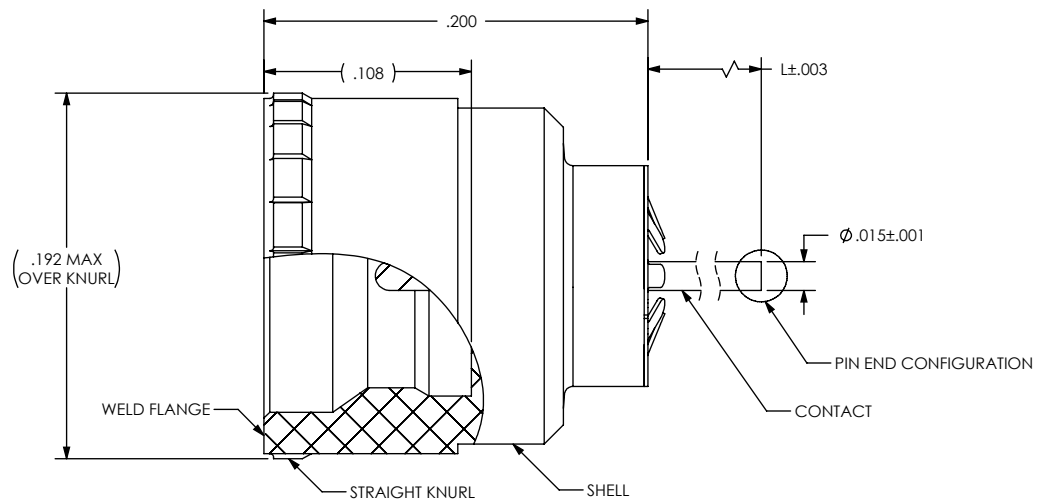
REVISIONS			
REV	DCN	REV DATE	RELEASE APPROVAL
-	INIT RLSE	2011-09-12	J. PETRI
A	DCN001208	2013-10-15	<i>[Signature]</i>

- CONFIGURATION FOR INTERFACING TO SMP "BULLET" STYLE ADAPTER
- DESIGNED TO LASER WELD INTO AN ELECTRONIC CHASSIS WALL
- INDUSTRY STANDARD NICKEL-IRON-COBALT ALLOY CONTACT WITH CORNING 7070 EQUIVALENT GLASS
- INTEGRAL RF GROUNDING TAB FOR EXCELLENT PERFORMANCE OVER TEMPERATURE
- DROP-IN HIGHER PERFORMANCE REPLACEMENT FOR SRIFT1001 STYLE CONNECTORS.

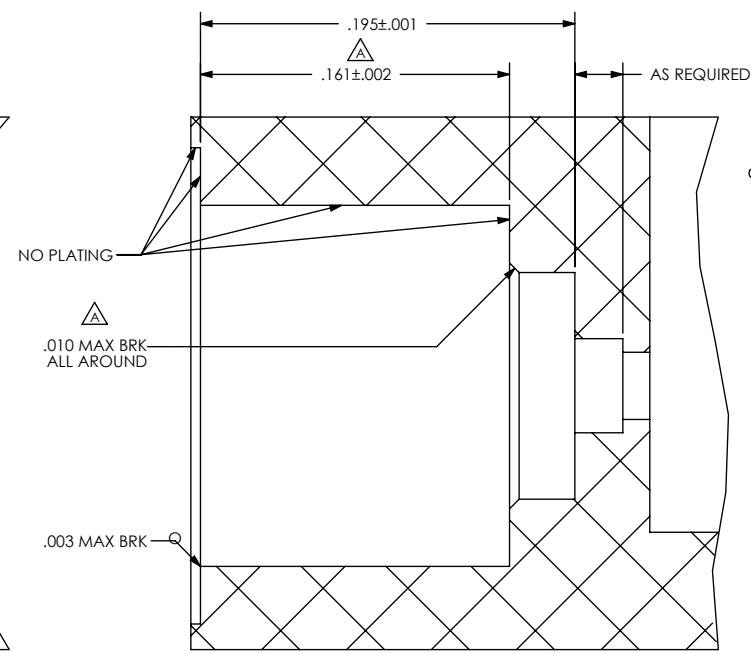
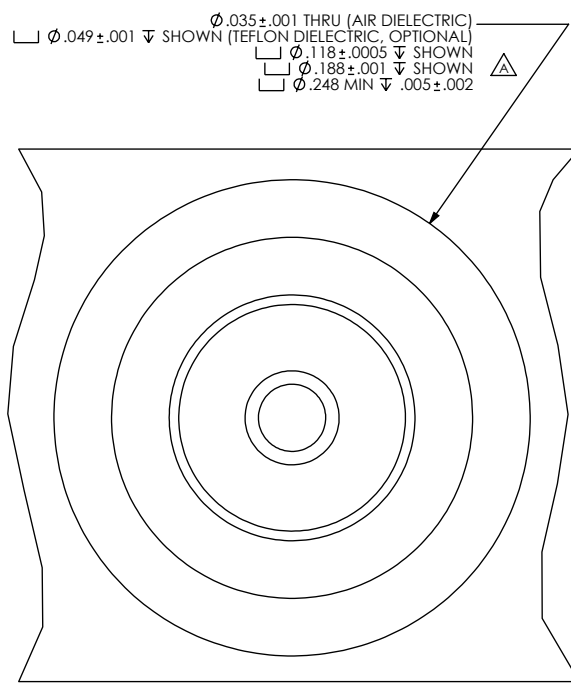
1. LEAK RATE: LESS THAN OR EQUAL TO 1X10E-9 CC/SEC He AT ONE ATMOSPHERE DIFFERENTIAL PRESSURE.
2. NOMINAL IMPEDANCE: 50 OHMS
3. INTERFACE IN ACCORDANCE WITH MIL-STD-348, SMP.
4. MATERIALS:
 PIN: NICKEL-IRON-COBALT ALLOY IN ACCORDANCE WITH ASTM F15
 DIELECTRIC: CORNING 7070 EQUIVALENT GLASS (MATCHED SEAL)
 SHELL (WELD FLANGE): TITANIUM GRADE 2 (UNALLOYED) IN ACCORDANCE WITH ASTM B265 OR B348
 RF GROUNDING SPRING: BERYLLIUM-COPPER ALLOY 172/173 IN ACCORDANCE WITH ASTM B 194 (NICKEL AND GOLD PLATED)
5. FINISH, CONTACT AND SHELL (EXCEPT WELD FLANGE):
 NICKEL PLATE PER QQ-N-290, CLASS 2, .000100/.000250 THICK.
 GOLD PLATE PER ASTM B488, TYPE III, CODE A, .000050/.000150 THICK. 
6. ORDERING INSTRUCTIONS:
 SPECIFY BASE NUMBER FOLLOWED BY DASH NUMBERS INDICATING DETENT TYPE, PIN LENGTH, AND DIELECTRIC APPLICATION.



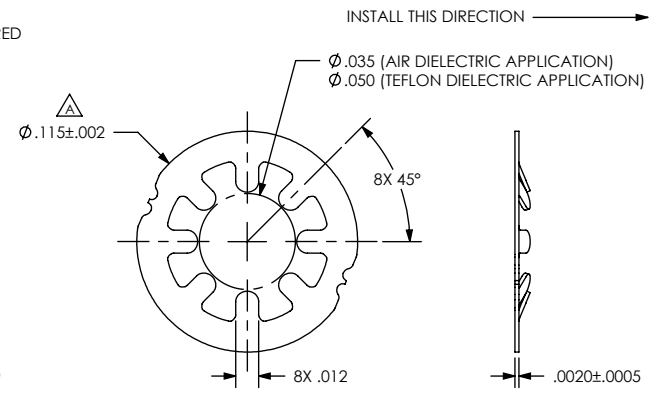
UNLESS OTHERWISE SPECIFIED		 (321) 254-4067 WWW.SRIHERMETICS.COM	
DIMENSIONING IAW ASME Y14.5M-1994 DIMENSIONS APPLY AFTER PROCESSES DIMENSIONS IAW US CUSTOMARY UNITS .X ± .1, .XX ± .01, .XXX ± .005, ∠ ± .5° .010 MAX OUTSIDE R, .005 MAX INSIDE R 125 RMS SURFACE FINISH		TITLE FEEDTHROUGH, SMP, TC LBW, PRESS-IN	
THIRD ANGLE PROJECTION		SIZE A	DOCUMENT SRIFT1020
		SCALE 8:1	CAGE CODE 3PJY7
		SHEET 1	REV A 1 OF 2



VIEW SHOWN WITHOUT GROUNDING SPRING

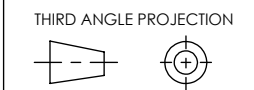


SUGGESTED HOLE DETAIL



RF GROUNDING SPRING, SHIPPED UNINSTALLED
PART NUMBER SRIFT1020-GS1, AIR DIELECTRIC
PART NUMBER SRIFT1020-GS2, TEFLON DIELECTRIC

UNLESS OTHERWISE SPECIFIED
DIMENSIONING IAW ASME Y14.5M-1994
DIMENSIONS APPLY AFTER PROCESSES
DIMENSIONS IAW US CUSTOMARY UNITS
X±.1, .XX±.01, .XXX±.005, ∠±.5°
.010 MAX OUTSIDE R, .005 MAX INSIDE R
125 RMS SURFACE FINISH



(321) 254-4067
WWW.SRIHERMETICS.COM

TITLE		FEEDTHROUGH, SMP, TC LBW, PRESS-IN	
SIZE	DOCUMENT	SRIFT1020	REV
A			A
SCALE	CAGE CODE	3PJY7	SHEET
10:1			2 OF 2