


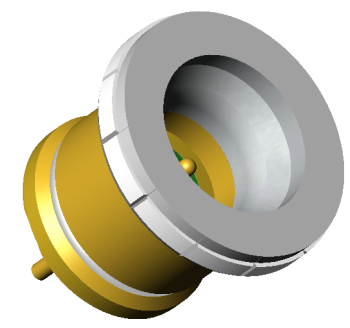
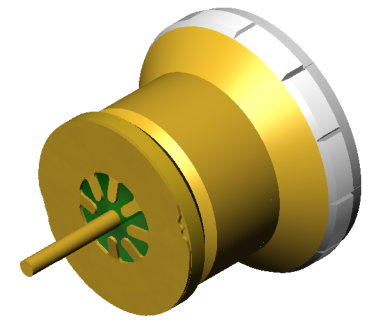
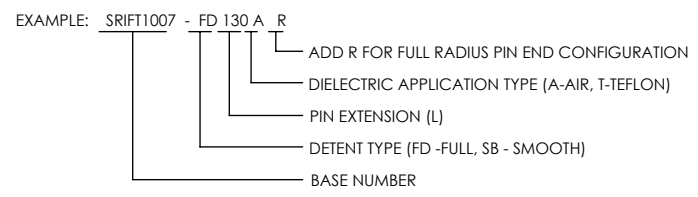
ALUMINUM COMPATIBLE LASER WELDABLE 50 OHM FEEDTHROUGH SMPM ADAPTABLE, .012 DIAMETER CENTER CONTACT, PRESS-IN

- CONFIGURATION FOR INTERFACING TO SMPM "BULLET" STYLE ADAPTER
- DESIGNED TO LASER WELD INTO AN ELECTRONIC CHASSIS
- INDUSTRY STANDARD NICKEL-IRON-COBALT ALLOY CONTACT WITH CORNING 7070 EQUIVALENT GLASS
- INTEGRAL RF GROUNDING TAB FOR EXCELLENT PERFORMANCE OVER TEMPERATURE

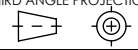
REVISIONS			
REV	CHANGE NO.	DATE	CFG APPROVAL
-	INIT RLSE	2008-11-03	J. PETRI
A	DCN000688	7/19/2010	J. PETRI
B	DCN001025	2012-05-25	J. PETRI
C	DCN001256	1/20/2014	J. PETRI
D	DCN001838	9/14/2016	

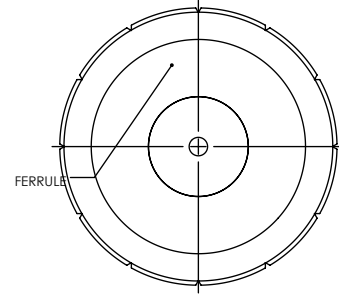
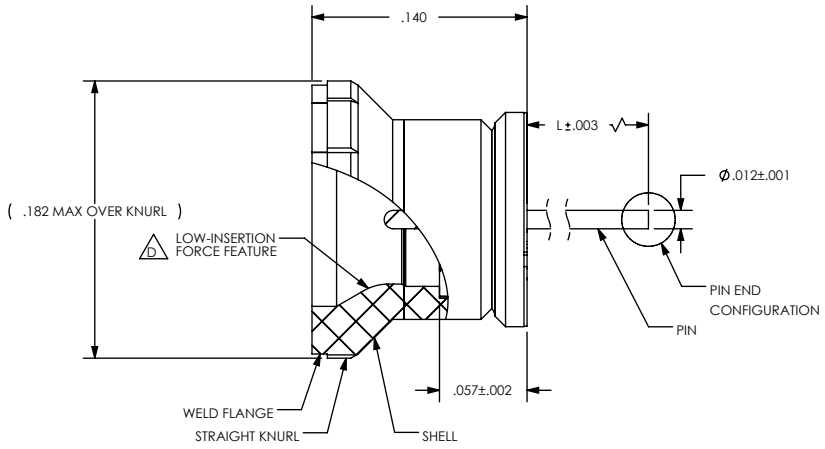
1. LEAK RATE: LESS THAN OR EQUAL TO 1X10⁻⁹ CC/SEC H₀ AT ONE ATMOSPHERE DIFFERENTIAL PRESSURE.
2. NOMINAL IMPEDANCE: 50 OHMS
3. INTERFACE IN ACCORDANCE WITH MIL-STD-348, SMPM, INCORPORATES LOW-INSERTION FORCE, DEBRIS LIMITING FEATURE. 
4. PERFORMANCE: VSWR (TYP) 1.4:1 TO 40 GHZ.
5. MATERIALS:
 PIN: NICKEL-IRON-COBALT ALLOY IN ACCORDANCE WITH ASTM F15.
 DIELECTRIC: CORNING 7070 EQUIVALENT GLASS (MATCHED SEAL).
 SHELL (WELD FLANGE): ALUMINUM ALLOY 4047 IN ACCORDANCE WITH AWS A5.8.
 RF GROUNDING SPRING: BERYLLIUM-COPPER ALLOY 172/173 IN ACCORDANCE WITH ASTM B 194 (NICKEL/GOLD PLATE)
6. FINISH:
 FERRULE AND PIN: NICKEL PLATE PER QQ-N-290, CLASS 2, .000100/.000250 THICK
 GOLD PLATE PER ASTM B488, TYPE III, CODE A, .000050/.000100 THICK.
 GROUNDING SPRING: NICKEL PLATE PER QQ-N-290, CLASS 2, .000100/.000250 THICK
 GOLD PLATE PER ASTM B488, TYPE III, CODE A, .000030/.000050 THICK.

7. ORDERING INSTRUCTIONS:
 SPECIFY BASE NUMBER FOLLOWED BY DASH NUMBER INDICATING DETENT TYPE, PIN EXTENSION AND DIELECTRIC APPLICATION TYPE:

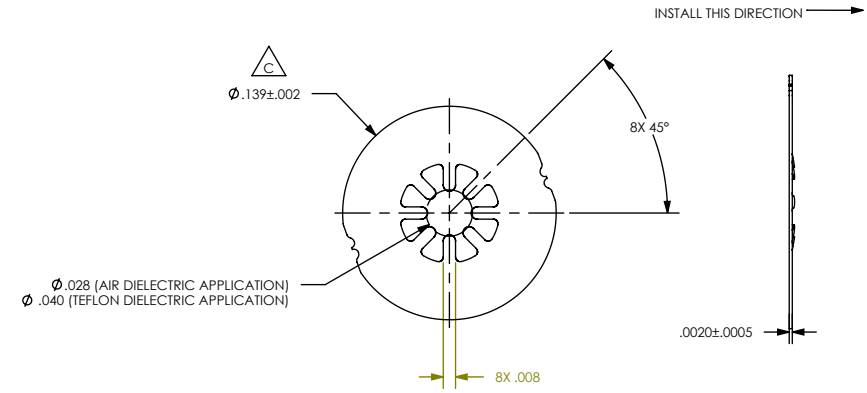


VIEWS SHOWN WITHOUT GROUNDING SPRING

DIMENSIONING IAW ASME Y14.5M-1994 DIMENSIONS APPLY AFTER PROCESSES DIMENSIONS IAW US CUSTOMARY UNITS X ± .1, XX ± .01, XXX ± .005, $\angle \pm .5^\circ$.010 MAX OUTSIDE R, .005 MAX INSIDE R #3 RMS SURFACE FINISH THIRD ANGLE PROJECTION 		SRI HERMETICS a division of WINCHESTER (321) 254-4067 www.srihermetics.com	
TITLE FEEDTHROUGH, SMPM COMPATIBLE, ALUMINUM LASER WELDABLE			
SIZE A	DOCUMENT SRIFT1007	REV D	
DO NOT SCALE DRAWING		SCALE 8:1	CAGE CODE 3PJY7
		SHEET 1 OF 2	

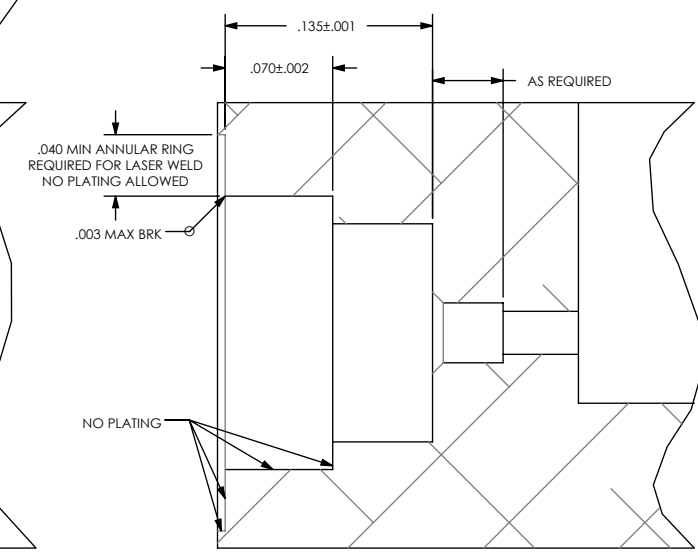
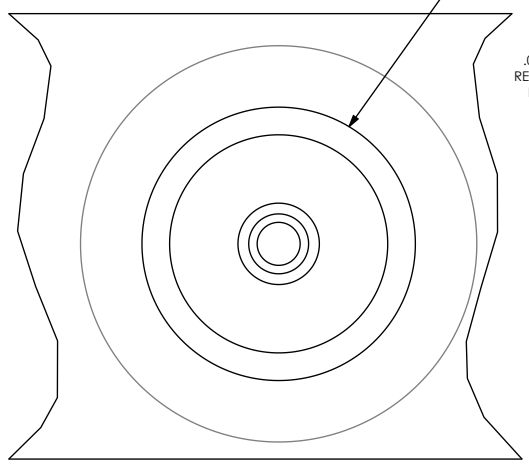


VIEW SHOWN WITHOUT RF GROUNDING SPRING



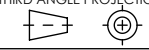
RF GROUNDING SPRING, SHIPPED UNINSTALLED
PART NUMBER SRIFT1007-GS1, AIR DIELECTRIC
PART NUMBER SRIFT1007-GS2, TEFLON DIELECTRIC


- Ø.028±.001 THRU (AIR DIELECTRIC)
- Ø.039±.001 SHOWN (PTFE DIELECTRIC)
- ✓ Ø.053±.002 X 90° (PTFE DIELECTRIC ONLY)
- Ø.142±.001 ▽ SHOWN
- Ø.178±.001 ▽ SHOWN
- AS SHOWN ▽.005±.002



RECOMMENDED HOLE DETAIL

DIMENSIONING IAW ASME Y14.5M-1994
DIMENSIONS APPLY AFTER PROCESSES
DIMENSIONS IAW US CUSTOMARY UNITS
X±.1, XX±.01, XXX±.005, ∠±.5°
.010 MAX OUTSIDE R, .005 MAX INSIDE R
63 RMS SURFACE FINISH
THIRD ANGLE PROJECTION



		(321) 254-4067	
www.srihermetics.com			
TITLE FEEDTHROUGH, SMPM COMPATIBLE, ALUMINUM LASER WELDABLE			
SIZE A	DOCUMENT SRIFT1007	REV D	
SCALE 8:1	CAGE CODE 3PJY7	SHEET 2 OF 2	