

REVISIONS			
REV	CHANGE NO.	DATE	RELEASE APPROVAL
-	INIT RLSE	1/4/2013	<i>[Signature]</i>

TITANIUM COMPATIBLE LASER WELDABLE 6-PIN MICRO RECEPTACLE

1. MATERIALS:

SHELL: TITANIUM GRADE 5 PER ASTM B265
 CONTACT: BERYLLIUM COPPER ALLOY 172 OR 173 PER ASTM B196 OR B197
 INSULATOR: CERAMAX® PROPRIETARY CERAMIC
 INTERFACIAL SEAL: FLUOROSILICONE RUBBER

2. HERMETIC LEAK RATE: LESS THAN OR EQUAL TO 1X10E-9 CC/SEC He AT ONE ATMOSPHERE DIFFERENTIAL PRESSURE.

3. INSULATION RESISTANCE: GREATER THAN 5,000 MEGOHMS AT 500±10% VDC AT 25°C.

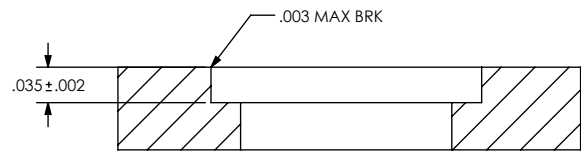
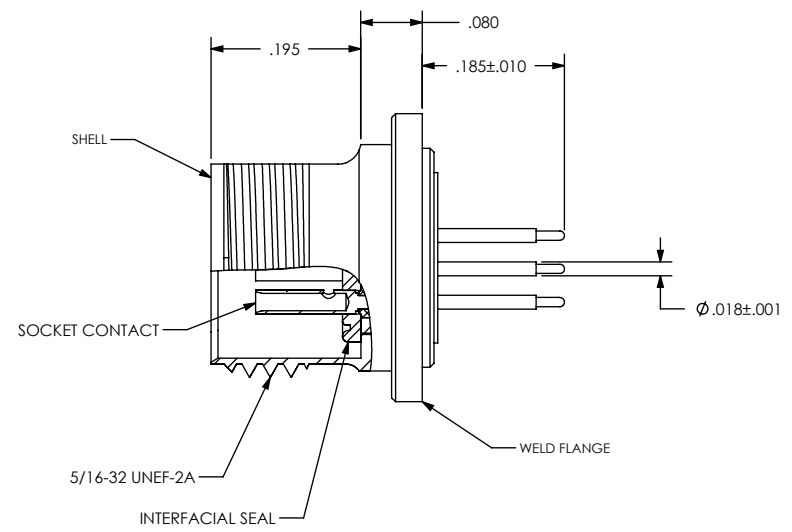
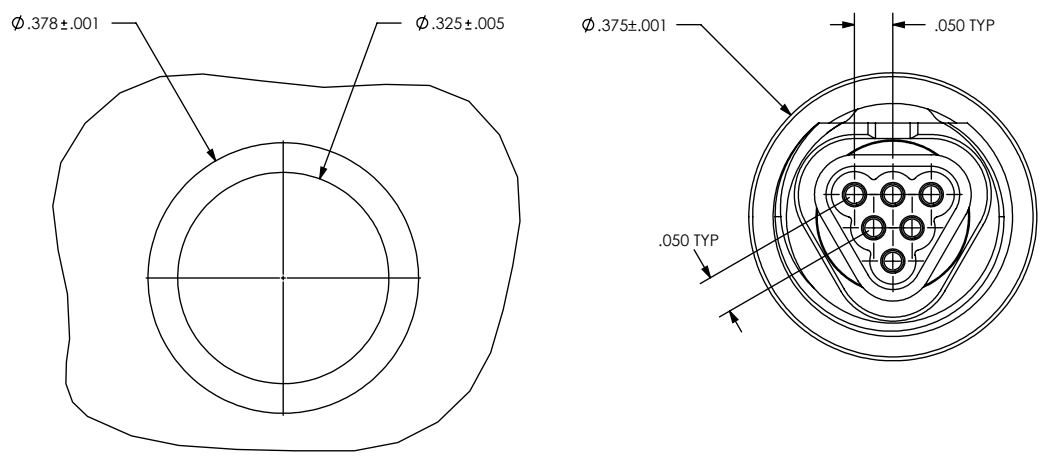
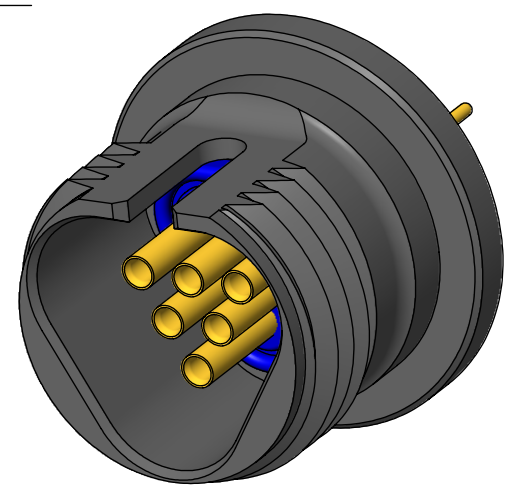
4. DIELECTRIC WITHSTANDING VOLTAGE: NO EVIDENCE OF BREAKDOWN OR FLASHOVER AT 600VAC (60Hz). DURATION OF APPLICATION SHALL BE 1 SECOND MINIMUM.

5. MATES WITH SRICMP310-6-({).

6. ORDERING INSTRUCTIONS:

SPECIFY THE FOLLOWING PART NUMBER: SRICMP316 - 6 - X 1

- PIN END STYLE (SEE SHEET 2)
- PIN COUNT
- BASE PART NUMBER



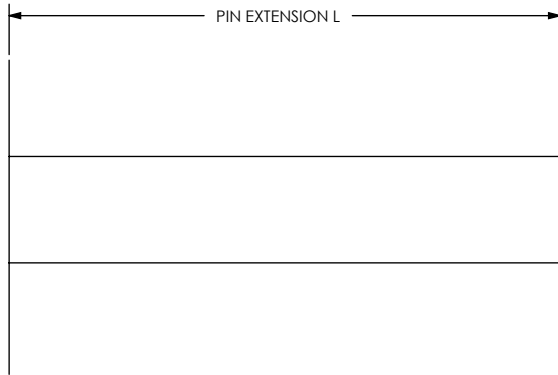
SUGGESTED HOLE DETAIL (NOT TO SCALE)

UNLESS OTHERWISE SPECIFIED
 DIMENSIONING IAW ASME Y14.5M-1994
 DIMENSIONS APPLY AFTER PROCESSES
 DIMENSIONS IAW US CUSTOMARY UNITS
 .X±.1, .XX±.01, .XXX±.005, ∠±.5°
 .010 MAX OUTSIDE R, .005 MAX INSIDE R
 125 RMS SURFACE FINISH

THIRD ANGLE PROJECTION

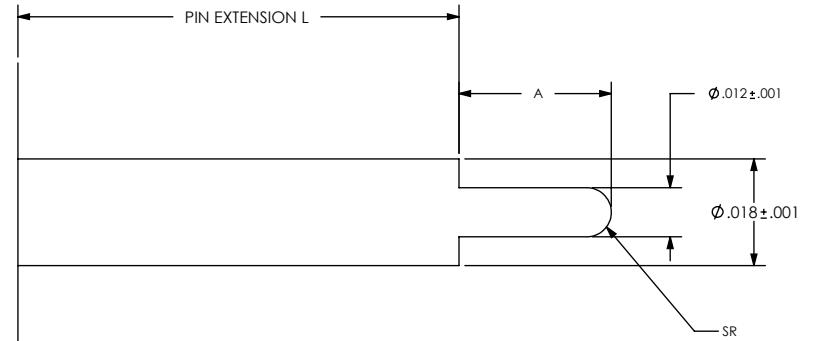
		(321) 254-4067	
		WWW.SRIHERMETICS.COM	
TITLE			
CONNECTOR, MICRO-D, 6-PIN RECEPTACLE			
SIZE	DOCUMENT	SRICMP316	REV
A			-
SCALE	CAGE CODE	3PJY7	SHEET
4:1			1 OF 2

STRAIGHT PIN END STYLE, A



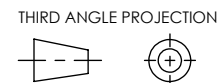
PART NUMBER	L
SRICMP316-6-A1	0.215

STEPPED PIN END STYLE, B



PART NUMBER	L	A
SRICMP316-6-B1	0.128	0.037

UNLESS OTHERWISE SPECIFIED
 DIMENSIONING IAW ASME Y14.5M-1994
 DIMENSIONS APPLY AFTER PROCESSES
 DIMENSIONS IAW US CUSTOMARY UNITS
 .X ± .1, .XX ± .01, .XXX ± .005, $\angle \pm .5^\circ$
 .010 MAX OUTSIDE R, .005 MAX INSIDE R
 125 RMS SURFACE FINISH



(321) 254-4067
 WWW.SRIHERMETICS.COM

TITLE		CONNECTOR, MICRO-D, 6-PIN RECEPTACLE	
SIZE	DOCUMENT	SRICMP316	REV -
SCALE	4:1	CAGE CODE 3PJY7	SHEET 2 OF 2