

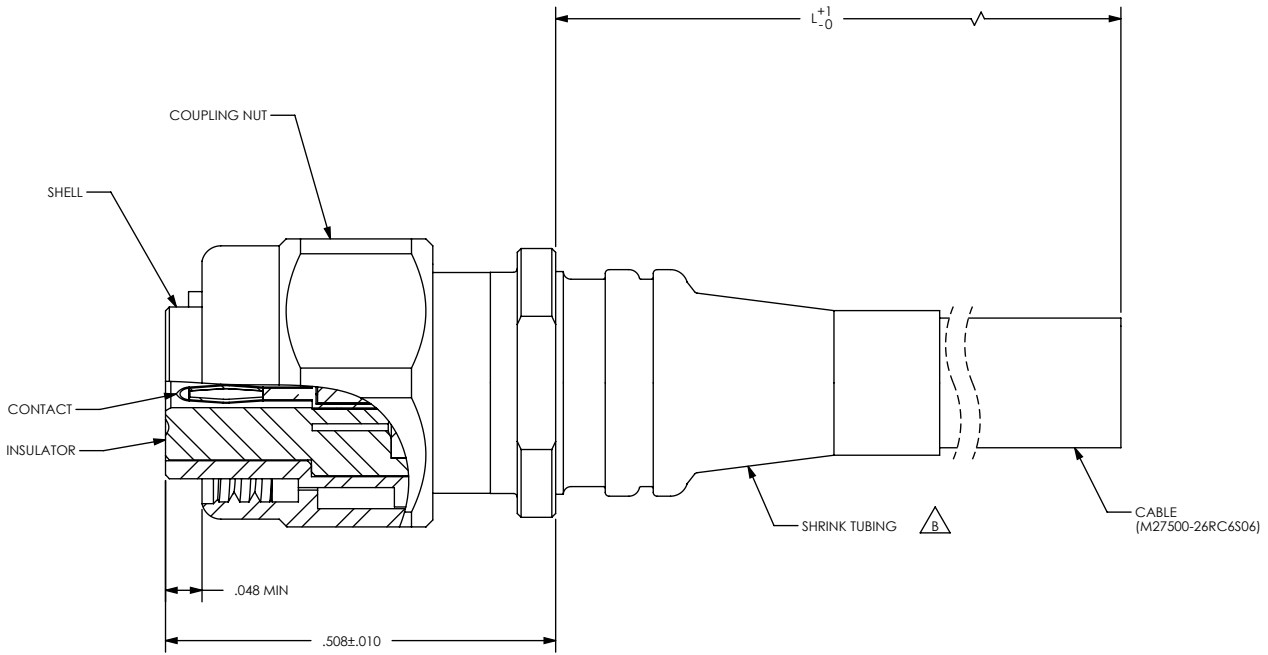
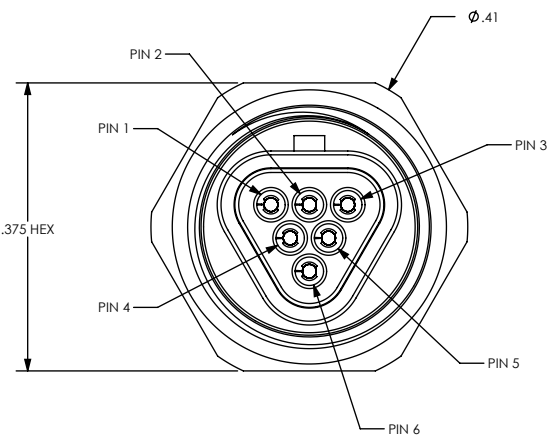
STAINLESS STEEL 6-PIN MICRO PLUG

REVISIONS			
REV	DCN	REVISION DATE	RELEASE APPROVAL
-	INIT RLSE	7/25/2012	J. PETRI
A	DCN001049	8/3/2012	J. PETRI
B	DCN01528	4/1/2015	

1. MATERIALS:
- SHELL: STAINLESS STEEL 304L PER ASTM A276-08 OR AMS-QQ-S-763
 - CONTACT: BERYLLIUM COPPER ALLOY C17200 PER ASTM B194
 - INSULATOR: POLYETHERETHERKETONE(PEEK)
 - COUPLING RING: STAINLESS STEEL 304L PER ASTM B265 OR ASTM B348
 - SHRINK TUBING: FLUOROELASTOMER, VITON PER AMS-DTL-23053/5
 - WIRE: ETFE COATED PER SAE-AS22759/11-26, COLOR:
 - PIN 1-WHITE
 - PIN 2-WHITE/BLUE
 - PIN 3-WHITE/ORANGE
 - PIN 4-WHITE/GREEN
 - PIN 5-WHITE/RED
 - PIN 6-WHITE/BLACK
2. INSULATION RESISTANCE: GREATER THAN 5,000 MEGOHMS AT 500±10% VDC AT 25°C IN ACCORDANCE WITH EIA-364-21
3. DIELECTRIC WITHSTANDING VOLTAGE: NO EVIDENCE OF BREAKDOWN OR FLASHOVER AT 600VAC (60Hz) IN ACCORDANCE WITH EIA-364-20. DURATION OF APPLICATION SHALL BE 1 SECOND MINIMUM.
4. MATES WITH SRICMP309-6 ().
5. ORDERING INSTRUCTIONS:

SPECIFY THE FOLLOWING PART NUMBER: SRICMP315 - 6 - L

- WIRE LENGTH IN INCHES
- PIN COUNT
- BASE PART NUMBER



DIMENSIONING IAW ASME Y14.5M-1994
 DIMENSIONS APPLY AFTER PROCESSES
 DIMENSIONS IAW US CUSTOMARY UNITS
 X±.1, XX±.01, XXX±.005, $\angle \pm 5^\circ$
 .010 MAX OUTSIDE R, .005 MAX INSIDE R
 63 RMS SURFACE FINISH
 THIRD ANGLE PROJECTION

DO NOT SCALE DRAWING

		(321) 254-4067	
www.srihermetics.com			
TITLE CONNECTOR, MICRO-D, 6-PIN PLUG			
SIZE A	DOCUMENT SRICMP315	REV B	
SCALE 1:1	CAGE CODE 3PJY7	SHEET 1 OF 1	