

STAINLESS STEEL COMPATIBLE LASER WELDABLE 6-PIN MICRO RECEPTACLE

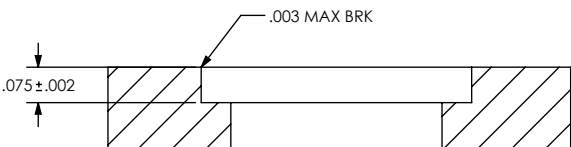
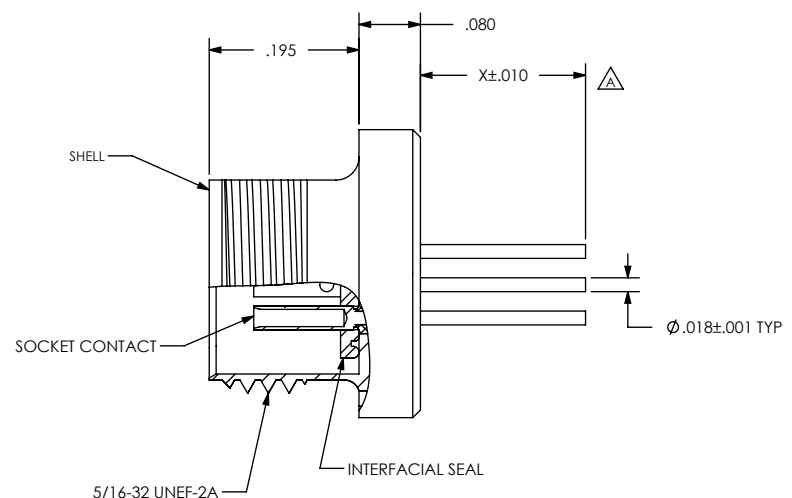
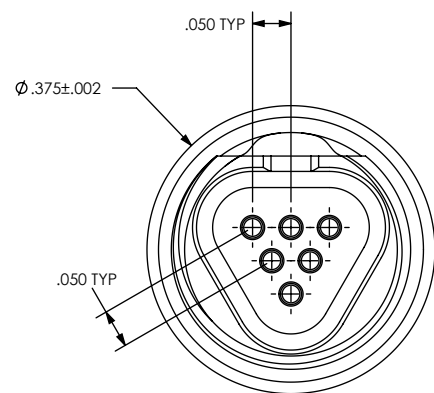
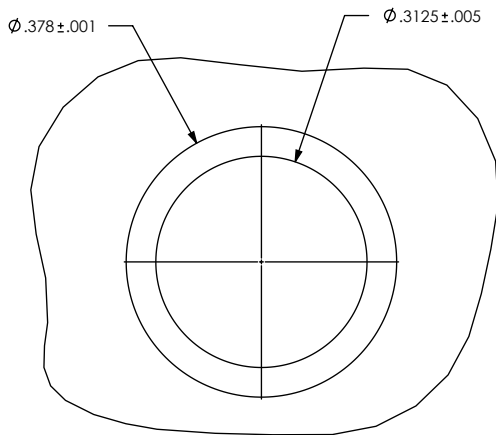
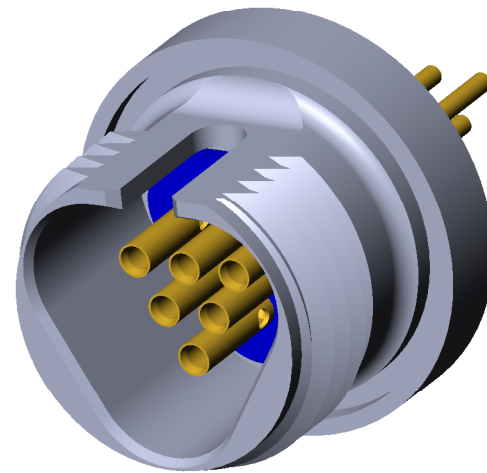
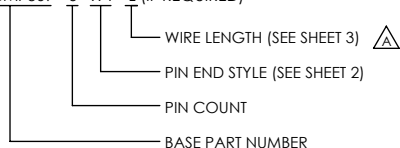
REVISIONS			
REV	DCN	REVISION DATE	RELEASE APPROVAL
-	INIT RLSE	4/7/2011	J. PETRI
A	DCN001845	9/16/2016	

1. MATERIALS:

SHELL: STAINLESS STEEL 304L PER ASTM A276-08 OR AMS-QQ-S-763
 CONTACT: BERYLLIUM COPPER ALLOY 172 OR 173 PER ASTM B196 OR B197
 INSULATOR: CERAMAX® PROPRIETARY CERAMIC
 INTERFACIAL SEAL: FLUOROSILICONE RUBBER
 WIRE (IF REQUIRED): INSULATED 26 AWG, STRANDED, COLOR CODED PER MIL-STD-681 (SEE SHEET 3) ⚠

- HERMETIC LEAK RATE: LESS THAN OR EQUAL TO 1X10E-9 CC/SEC He AT ONE ATMOSPHERE DIFFERENTIAL PRESSURE.
- INSULATION RESISTANCE: GREATER THAN 5,000 MEGOHMS AT 500±10% VDC AT 25°C.
- DIELECTRIC WITHSTANDING VOLTAGE: NO EVIDENCE OF BREAKDOWN OR FLASHOVER AT 600VAC (60Hz). DURATION OF APPLICATION SHALL BE 1 SECOND MINIMUM.
- MATES WITH SRICMP310-6-(-).
- ORDERING INSTRUCTIONS:

SPECIFY THE FOLLOWING PART NUMBER: SRICMP309 - 6 - X 1 -L (IF REQUIRED)



SUGGESTED HOLE DETAIL (NOT TO SCALE)

DIMENSIONING IAW ASME Y14.5M-1994
 DIMENSIONS APPLY AFTER PROCESSES
 DIMENSIONS IAW US CUSTOMARY UNITS
 X ± .1, XX ± .01, XXX ± .005, ∠ ± 5°
 .010 MAX OUTSIDE R, .005 MAX INSIDE R
 63 RMS SURFACE FINISH
 THIRD ANGLE PROJECTION

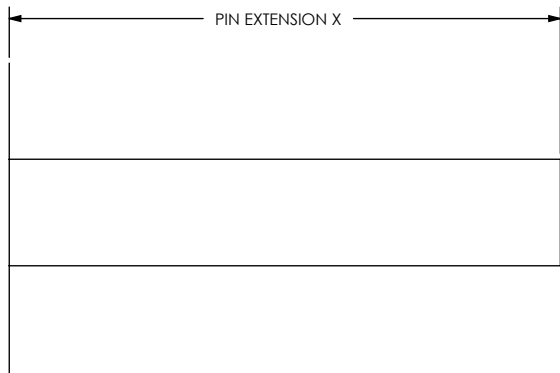


(321) 254-4067
 www.srihermetics.com

TITLE CONNECTOR, MICRO-D, 6-PIN RECEPTACLE

SIZE A	DOCUMENT SRICMP309	REV A
SCALE 4:1	CAGE CODE 3PJY7	SHEET 1 OF 3

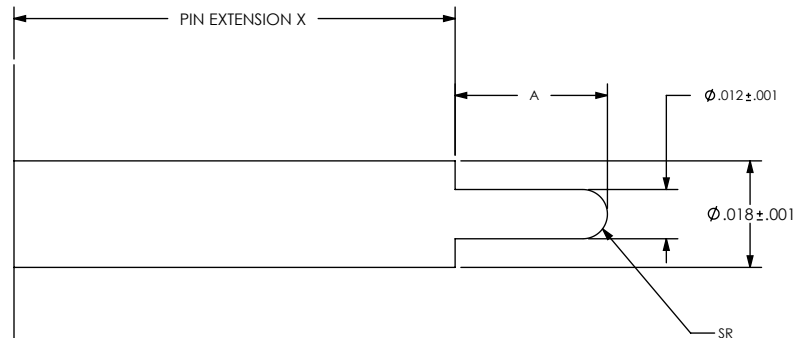
STRAIGHT PIN END STYLE, A



PART NUMBER	X
SRICMP309-6-A1	0.215
SRICMP309-6-A2	0.128



STEPPED PIN END STYLE, B

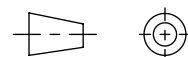


PART NUMBER	X	A
SRICMP309-6-B1	0.128	0.037



UNLESS OTHERWISE SPECIFIED
 DIMENSIONING IAW ASME Y14.5M-1994
 DIMENSIONS APPLY AFTER PROCESSES
 DIMENSIONS IAW US CUSTOMARY UNITS
 .X ± .1, .XX ± .01, .XXX ± .005, $\angle \pm .5^\circ$
 .010 MAX OUTSIDE R, .005 MAX INSIDE R
 125 RMS SURFACE FINISH

THIRD ANGLE PROJECTION

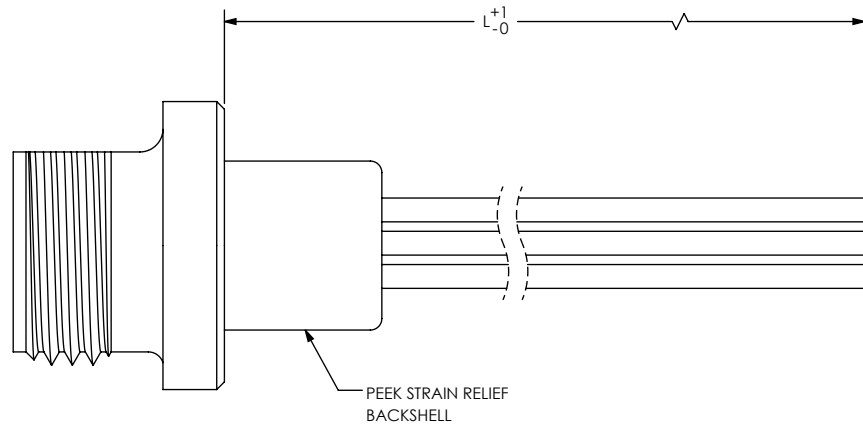
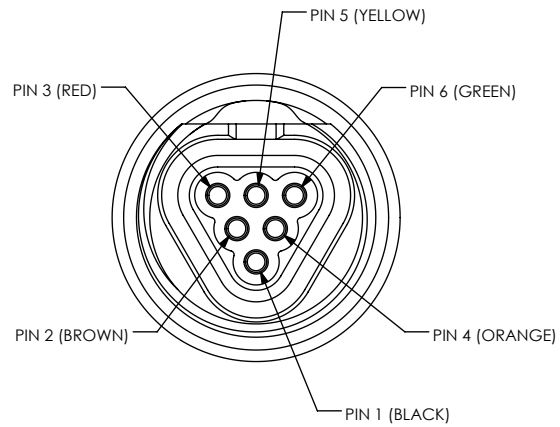


(321) 254-4067
 WWW.SRIHERMETICS.COM

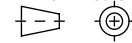
TITLE
 CONNECTOR, MICRO-D, 6-PIN RECEPTACLE

SIZE A	DOCUMENT SRICMP309	REV A
SCALE 4:1	CAGE CODE 3PJY7	SHEET 2 OF 3

VIEWS THIS SHEET SHOW ONLY WIRED CONNECTOR
SRICMP309 - 6 - () - L



DIMENSIONING IAW ASME Y14.5M-1994
DIMENSIONS APPLY AFTER PROCESSES
DIMENSIONS IAW US CUSTOMARY UNITS
X ± .1, XX ± .01, XXX ± .005, ∠ ± .5°
.010 MAX OUTSIDE R, .005 MAX INSIDE R
63 RMS SURFACE FINISH
THIRD ANGLE PROJECTION



DO NOT SCALE DRAWING



(321) 254-4067
www.srihermetics.com

TITLE
CONNECTOR, MICRO-D, 6-PIN RECEPTACLE

SIZE A	DOCUMENT SRICMP309	REV A
SCALE 4:1	CAGE CODE 3PJY7	SHEET 3 OF 3