

REVISIONS			
REV	CHANGE NO.	DATE	CFG APPROVAL
-	INIT RLSE	2008-04-23	J. PETRI

1. MATERIALS:

- COUPLING NUT: TITANIUM GRADE 4 (UNALLOYED) OR GRADE 5 (6AL4V) PER ASTM B265 OR ASTM B348
- EYELET: TITANIUM GRADE 4 (UNALLOYED) OR GRADE 5 (6AL4V) PER ASTM B265 OR ASTM B348
- GASKET: FLUOROSILICONE RUBBER
- D-RING: STAINLESS STEEL ALLOY 300-SERIES
- SPLIT RING: STAINLESS STEEL ALLOY 300-SERIES
- CRIMP SLEEVE: STAINLESS STEEL ALLOY 300-SERIES
- LANYARD: POLYESTER CORD, BRAIDED, BLACK (1.8MM DIA)

2. FINISH:

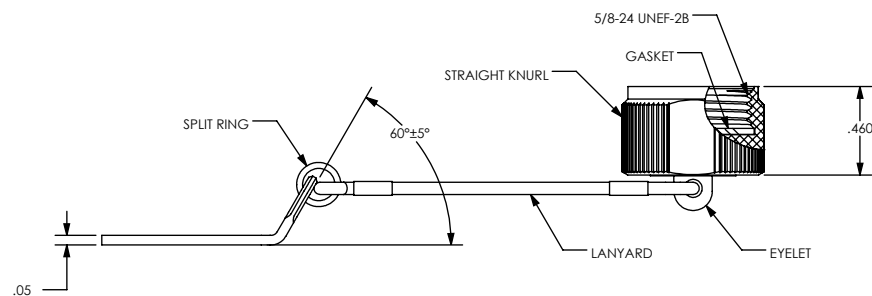
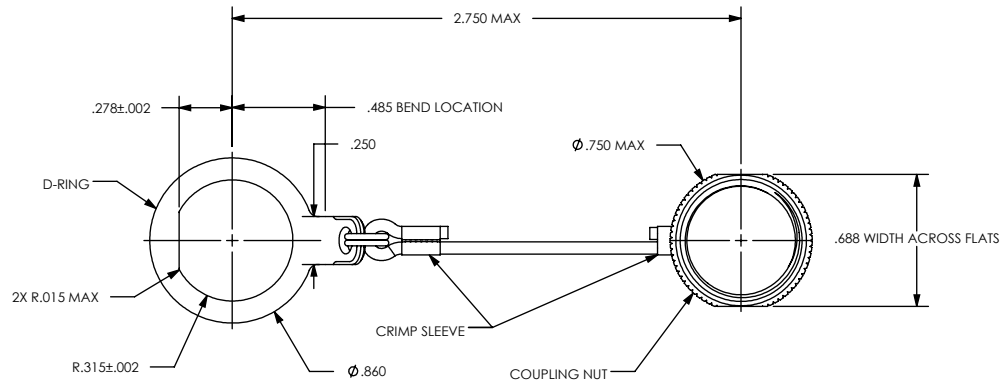
- COUPLING NUT: OXIDE, COLOR MATTE GRAY
- EYELET: OXIDE, COLOR DARK GRAY
- D-RING: OXIDE, COLOR DARK GRAY
- CRIMP SLEEVE: OXIDE, COLOR DARK GRAY
- SPLIT RING: NONE

3. ROTATIONAL ORIENTATION OF D-RING NOT CRITICAL

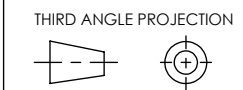
4. MATES WITH SRICMP301 - 1

5. ORDERING INSTRUCTIONS:

SPECIFY THE FOLLOWING PART NUMBER: SRICMP308 - 1



UNLESS OTHERWISE SPECIFIED
 DIMENSIONING IAW ASME Y14.5M-1994
 DIMENSIONS APPLY AFTER PROCESSES
 DIMENSIONS IAW US CUSTOMARY UNITS
 .X ±.1, .XX ±.01, .XXX ±.005, ∠ ±.5°
 .010 MAX OUTSIDE R, .005 MAX INSIDE R
 125 RMS SURFACE FINISH



(321) 254-4067
 WWW.SRIHERMETICS.COM

TITLE			
CAP, LANYARD (5/8-24)			
SIZE	DOCUMENT	SRICMP308	REV
A			-
SCALE	CAGE CODE	3PJY7	SHEET
1:1			1 OF 1