

# ALUMINUM COMPATIBLE LASER WELDABLE QUADRAX DOUBLE-ENDED CIRCULAR CONNECTOR

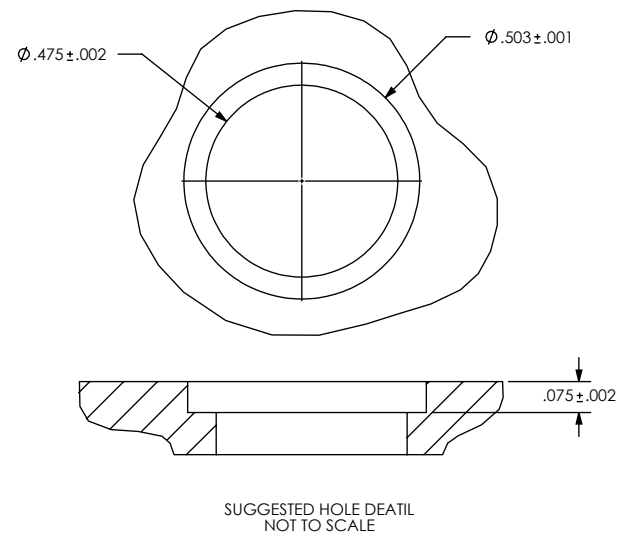
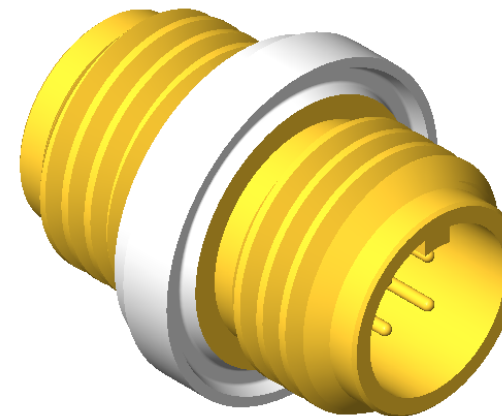
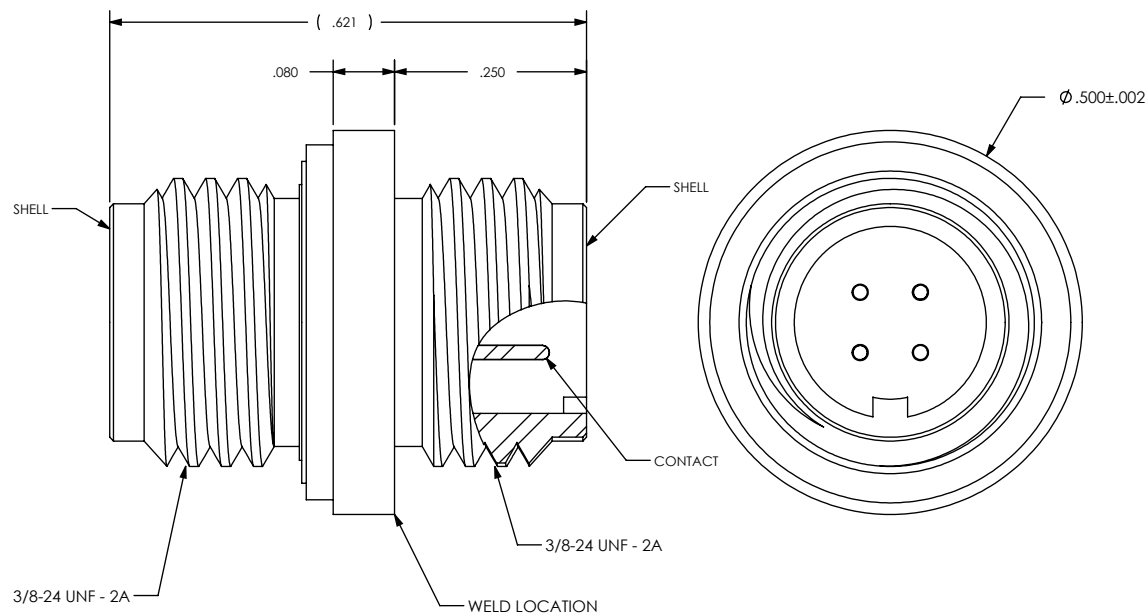
- CONFIGURATION WITH THE WELD LIP LOCATED AT THE MIDDLE OF THE CONNECTOR
- DESIGNED TO LASER WELD INTO AN ELECTRONIC CHASSIS WALL
- INCORPORATES BERYLLIUM-COPPER CONTACTS INDIVIDUALLY SEALED USING CERAMAX® PROPRIETARY CERAMIC TO ESTABLISH A DURABLE HERMETIC SEAL.

REVISIONS			
REV	CHANGE NO.	DATE	CFG APPROVAL
-	INIT RLSE	10/27/2010	J. PETRI
A	DCN000772	1/5/2011	J. PETRI
B	DCN000796	3/17/2011	J. PETRI

- HERMETIC LEAK RATE: LESS THAN OR EQUAL TO 1X10E-9 CC/SEC He AT ONE ATMOSPHERE DIFFERENTIAL PRESSURE.
- INSULATION RESISTANCE: GREATER THAN 5,000 MEGOHMS AT 500 ± 10% VDC AT 25°C IN ACCORDANCE WITH MIL-STD-1344, METHOD 3003.
- DESIGNED TO PREFORM AT 100 OHMS NOMINAL IMPEDANCE, DC TO 1GHZ.
- DIELECTRIC WITHSTANDING VOLTAGE: NO EVIDENCE OF BREAKDOWN OR FLASHOVER WHEN SUBJECTED TO 600 VAC (60 Hz RMS) IN ACCORDANCE WITH MIL-STD-1344, METHOD 2001. DURATION OF APPLICATION SHALL BE 1 SECOND MINIMUM PER PIN.
- MATERIALS:  
 CONTACT: BERYLLIUM-COPPER ALLOY 172/173 IN ACCORDANCE WITH ASTM B196/197.  
 DIELECTRIC: CERAMAX PROPRIETARY CERAMIC.  
 SHELL: ALUMINUM ALLOY 4032 SERIES IN ACCORDANCE WITH ASTM B211, ASTM B221 OR AMS 4319.  
 INSULATOR: TEFLON
- FINISH:  
 CONTACT: NICKEL PLATE PER SAE-AMS-QQ-N-290, CLASS 1, .000100/.000250 THICK.  
 GOLD PLATE PER ASTM B488-01, TYPE I, CODE C, .000050/.000100 THICK. B  
 SHELL: NICKEL PLATE PER ASTM B733, TYPE 1, CLASS 1, .000100/.000250 THICK. B  
 GOLD PLATE PER ASTM B488-01, TYPE I, CODE C, .000050/.000150 THICK.  
 WELD LOCATION: NO FINISH
- MATES WITH AMPHENOL AEROSPACE PART NUMBER 21-33836-XX.
- ORDERING INSTRUCTIONS:  
 SPECIFY BASE NUMBER FOLLOWED BY DASH NUMBER INDICATING CONFIGURATION:

EXAMPLE: SRICMP205 - 1

CONFIGURATION NUMBER  
 BASE NUMBER



UNLESS OTHERWISE SPECIFIED		(321) 254-4067 WWW.SRIHERMETICS.COM	
DIMENSIONING IAW ASME Y14.5M-1994 DIMENSIONS APPLY AFTER PROCESSES DIMENSIONS IAW US CUSTOMARY UNITS .X ± .1, .XX ± .01, .XXX ± .005, ∠ ± .5° .010 MAX OUTSIDE R, .005 MAX INSIDE R 125 RMS SURFACE FINISH			
THIRD ANGLE PROJECTION		TITLE	
		CONNECTOR, DOUBLE-ENDED, QUADRAX	
SIZE	DOCUMENT	SRICMP205	REV
A			B
SCALE	CAGE CODE	3PJY7	SHEET
4:1			1 OF 1