


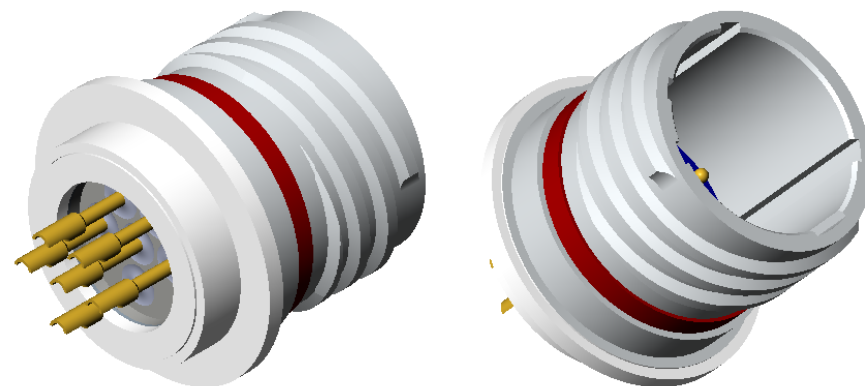
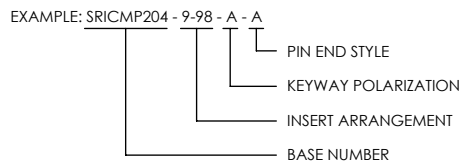
SRICMP204 ALUMINUM COMPATIBLE LASER WELDABLE M38999/25 CONNECTOR

REVISIONS			
REV	CHANGE NO.	DATE	CFG APPROVAL
-	INIT RLSE	2010-05-18	J. PETRI
A	DCN000965	2/23/2012	


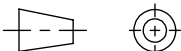
- TRADITIONAL CONFIGURATION WITH THE WELD FLANGE LOCATED AT THE MIDSECTION OF THE CONNECTOR.
- CONFORMS TO MIL-DTL-38999/25, EXCEPT AS SHOWN.
- INSERT ARRANGEMENTS CONFORM TO MIL-STD-1560, SIZE 20 CONTACT ARRANGEMENTS ONLY.
- INCORPORATES BERYLLIUM-COPPER CONTACTS INDIVIDUALLY SEALED USING CERAMAX® PROPRIETARY CERAMIC TO ESTABLISH A DURABLE HERMETIC SEAL.
- THE INTERNAL PINS CAN BE CONFIGURED TO ACCEPT INSULATED WIRE OR SOLDER CONNECTIONS.

1. LEAK RATE: LESS THAN OR EQUAL TO 2X10E-10 CC/SEC He AT ONE ATMOSPHERE DIFFERENTIAL PRESSURE.
TEST TO 1X10E-9 CC/SEC He AT ONE ATMOSPHERE DIFFERENTIAL PRESSURE.
2. KEYWAY POLARIZATION CONFORMS TO MIL-DTL-38999, SERIES III.
3. MATERIALS:
CONTACT: BERYLLIUM-COPPER ALLOY 172/173 IN ACCORDANCE WITH ASTM B196/197.
INSULATOR: CERAMAX PROPRIETARY CERAMIC.
WELD FLANGE: ALUMINUM ALLOY 4032 IN ACCORDANCE WITH ASTM B247.
INTERFACIAL AND STATIC SEAL: FLUOROSILICONE RUBBER IN ACCORDANCE WITH MIL-R-25988, TYPE 2, CLASS 1, GRADE 60.
DIELECTRIC INSULATOR: 353ND 
4. FINISH:
CONTACTS: NICKEL PLATE PER QQ-N-290, CLASS 2, .000100 / .000300 THICK.
GOLD PLATE PER ASTM B488-01, TYPE III, CODE A, .000050 MIN THICK.

SHELL: NICKEL PLATE PER ASTM B733, TYPE 4, CLASS 4, .000500/.000600 THICK.
5. ORDERING INSTRUCTIONS:
SPECIFY BASE NUMBER FOLLOWED BY DASH NUMBER INDICATING INSERT ARRANGEMENT, KEYWAY POLARIZATION, AND PIN END STYLE:

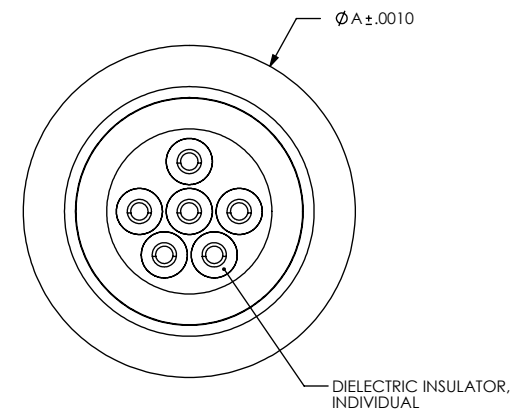
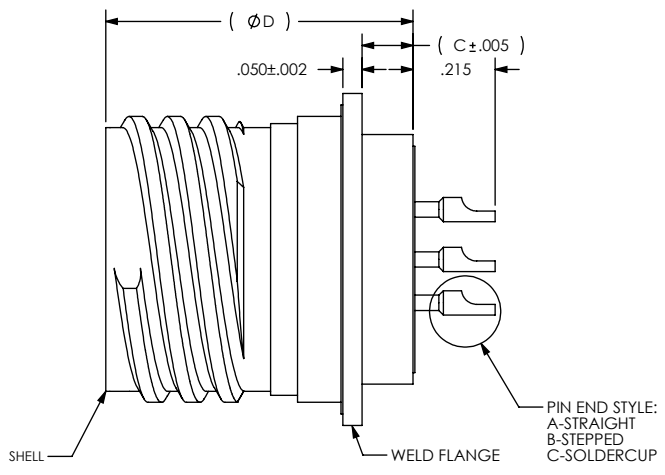
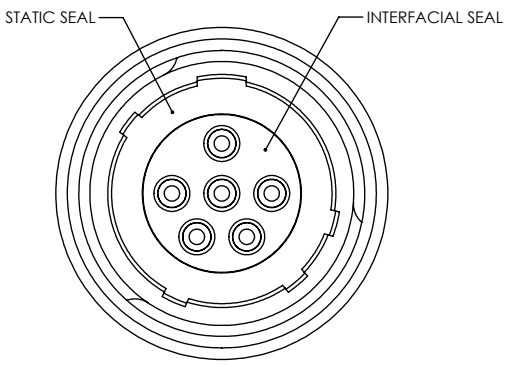


VIEWS SHOWN FOR REFERENCE ONLY
SCALE 2:1

UNLESS OTHERWISE SPECIFIED DIMENSIONING IAW ASME Y14.5M-1994 DIMENSIONS APPLY AFTER PROCESSES DIMENSIONS IAW US CUSTOMARY UNITS .X ± .1, .XX ± .01, .XXX ± .005, ∠ ± .5° .010 MAX OUTSIDE R, .005 MAX INSIDE R 125 RMS SURFACE FINISH		 (321) 254-4067 WWW.SRIHERMETICS.COM	
THIRD ANGLE PROJECTION 		TITLE CONNECTOR, M38999/25, AC LBW	
SIZE A	DOCUMENT SRICMP204	REVISION A	
SCALE 2:1	CAGE CODE 3PJY7	SHEET 1 OF 2	

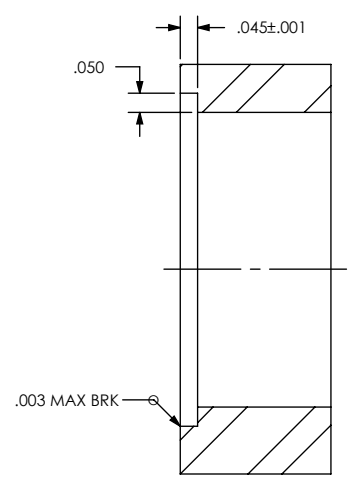
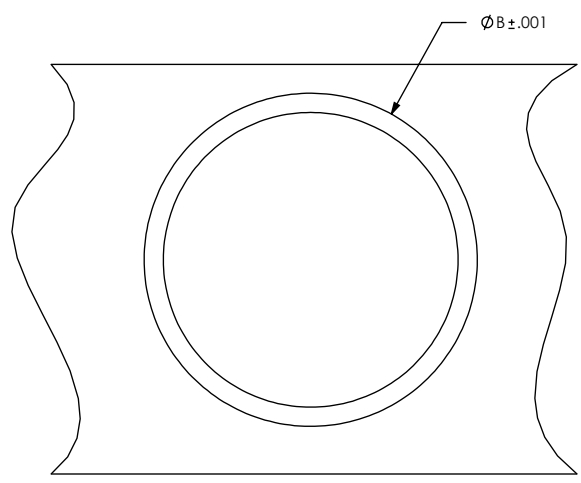
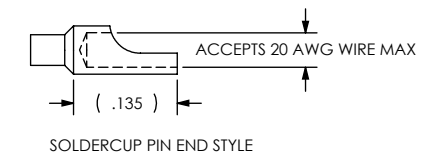
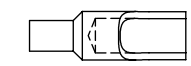
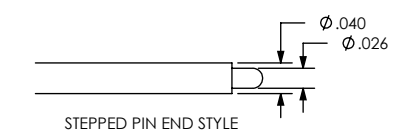
8 7 6 5 4 3 2

D
C
B
A



VIEW A

SHELL SIZE	A	B	C	D
9	.7395	.7425	.133	.800
11	.8645	.8675	.133	.800
13	.9895	.9925	.133	.800
15	1.1145	1.1175	.133	.800
17	1.2995	1.3025	.133	.800
19	1.3620	1.3650	.133	.800
21	1.4870	1.4900	.133	.800
23	1.6120	1.6150	.164	.832
25	1.7370	1.7400	.164	.832



RECOMMENDED HOLE DETAIL

UNLESS OTHERWISE SPECIFIED
DIMENSIONING IAW ASME Y14.5M-1994
DIMENSIONS APPLY AFTER PROCESSES
DIMENSIONS IAW US CUSTOMARY UNITS
.X±.1, .XX±.01, .XXX±.005, ∠±.5°
.010 MAX OUTSIDE R, .005 MAX INSIDE R
125 RMS SURFACE FINISH

		(321) 254-4067 WWW.SRIHERMETICS.COM
TITLE CONNECTOR, M38999/25, AC LBW		
SIZE A	DOCUMENT SRICMP204	REV A
SCALE 2:1	CAGE CODE 3PJY7	SHEET 2 OF 2

8 7 6 5 4 3 2 1