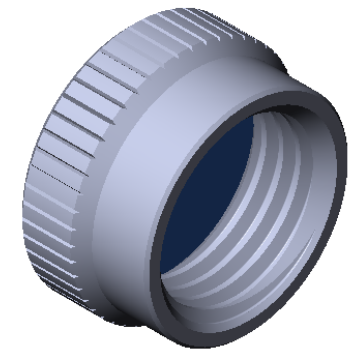


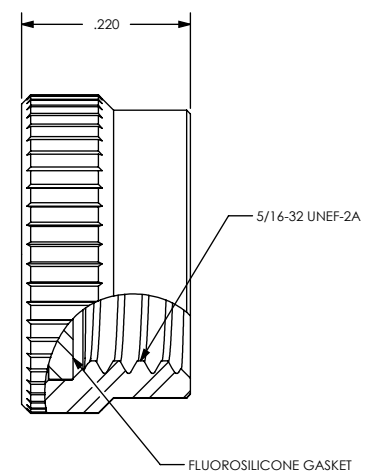
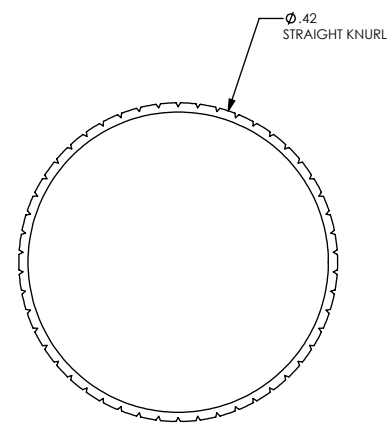
REVISIONS			
REV	DCN	REVISION DATE	RELEASE APPROVAL
-	INIT RLSE	3/22/2013	<i>[Signature]</i> PETRI

# SRIC125 STAINLESS STEEL CIRCULAR CONNECTOR CAP

- DESIGNED TO INHIBIT FOREIGN OBJECT DEBRIS FROM ENTERING THE SRICMP316-1 CONNECTOR INTERFACE.
- MATERIAL: 303 STAINLESS STEEL PER AMS-QQ-S-763
- USED ON SRICMP309-1.
- ORDERING INSTRUCTIONS:  
SPECIFY THE FOLLOWING PART NUMBER: SRIC125-1



VIEW FOR REFERENCE ONLY



UNLESS OTHERWISE SPECIFIED  
 DIMENSIONING IAW ASME Y14.5M-1994  
 DIMENSIONS APPLY AFTER PROCESSES  
 DIMENSIONS IAW US CUSTOMARY UNITS  
 .X ± .1, .XX ± .01, .XXX ± .005, ∠ ± .5°  
 .010 MAX OUTSIDE R, .005 MAX INSIDE R  
 125 RMS SURFACE FINISH

THIRD ANGLE PROJECTION

		(321) 254-4067	
<a href="http://WWW.SRIHERMETICS.COM">WWW.SRIHERMETICS.COM</a>			
TITLE			
CAP, CIRCULAR, CONNECTOR			
SIZE	DOCUMENT	SRIC125	REV
A			-
SCALE	CAGE CODE	3PJY7	SHEET
4:1			1 OF 1