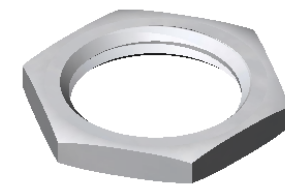
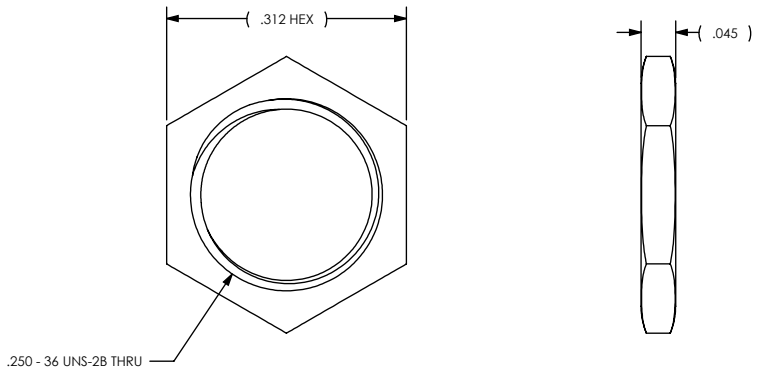


REVISIONS			
REV	DCN	REVISION DATE	RELEASE APPROVAL
-	INIT RLSE	2011-09-22	<i>[Signature]</i>

SMA PANEL JACK JAM NUT

- DESIGNED TO INHIBIT PANEL JACK MOVEMENT DURING CABLE INSTALLATION.
- MATERIAL: STAINLESS STEEL ALLOY 303
- USED IN CONJUNCTION WITH SRIC118 ON SRIFT501.
- INSTALLATION TORQUE: 18±1 LB-IN.
TOOL SRIT107-1 AVAILABLE FOR INSTALLATION.
- ORDERING INSTRUCTIONS:
SPECIFY THE FOLLOWING PART NUMBER: SRIC119-1



VIEW FOR REFERENCE ONLY

UNLESS OTHERWISE SPECIFIED
 DIMENSIONING IAW ASME Y14.5M-1994
 DIMENSIONS APPLY AFTER PROCESSES
 DIMENSIONS IAW US CUSTOMARY UNITS
 .X ± .1, .XX ± .01, .XXX ± .005, ∠ ± .5°
 .010 MAX OUTSIDE R, .005 MAX INSIDE R
 125 RMS SURFACE FINISH

THIRD ANGLE PROJECTION

		(321) 254-4067	
WWW.SRIHERMETICS.COM			
TITLE			
NUT, JAM, PANEL JACK, SMA			
SIZE	DOCUMENT	SRIC119	REV
A			-
SCALE	CAGE CODE	3PJY7	SHEET
4:1			1 OF 1