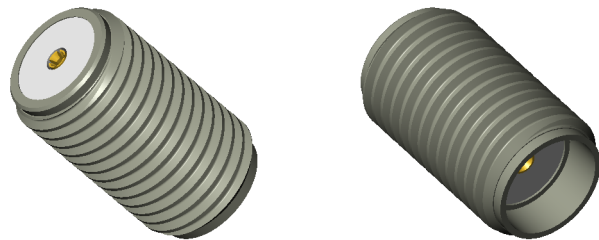
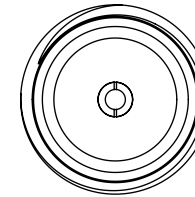
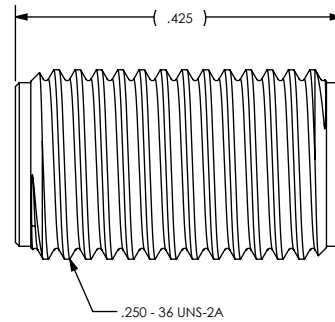
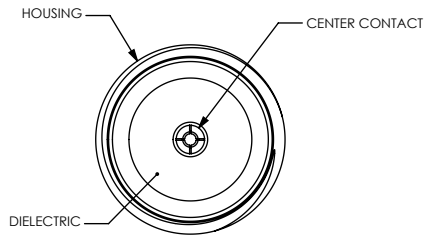


PANEL JACK ADAPTER

1. NOMINAL IMPEDANCE: 50 OHMS
2. INSTALLATION TORQUE: 12±1 LB-IN
TOOL SRIT103-1 AVAILABLE FOR INSTALLATION.
3. MATES WITH HERMETIC SMA FEEDTHROUGH SRIFT501.
4. ORDERING INSTRUCTIONS: SEE TABLE 1.
5. MATERIALS AND FINISH SEE TABLE 2

REVISIONS			
REV	DCN	REVISION DATE	RELEASE APPROVAL
-	INIT RLSE	2011-09-22	J.PETRI
A	DCN001812	8/9/2016	



VIEWS FOR REFERENCE ONLY
SCALE 3:1

TABLE 2

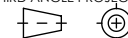
ITEM	MATERIAL AND FINISH
HOUSING	CRES ALLOY UNS-S30300 PER ASTM A582 PASSIVATE PER ASTM A967-99
CONTACT	BERILLIUM COPPER UNS-C17300 PER ASTM B196 GOLD PLATE PER MIL-DTL-45204 .000050 MAX THK
DIELECTRIC	PTFE FLUOROCARBON PER ASTM D1710 TYPE 1, GR 1, CLASS B
CAPTURE BEAD	ULTEM 1000 PER ASTM D5205

TABLE 1

PART NUMBER	ACCEPTS PIN DIAMETER	MATES WITH
SRIC118-1	.012	SRIFT501-012-()
SRIC118-2	.015	SRIFT501-015-()
SRIC118-3	.020	SRIFT501-020-()



DIMENSIONING IAW ASME Y14.5M-1994
DIMENSIONS APPLY AFTER PROCESSES
DIMENSIONS IAW US CUSTOMARY UNITS
X±.1, .XX±.01, .XXX±.005, ∠±.5°
.010 MAX OUTSIDE R, .005 MAX INSIDE R
63 RMS SURFACE FINISH
THIRD ANGLE PROJECTION



(321) 254-4067
www.srihermetics.com

TITLE ADAPTER, JACK, PANEL

SIZE DOCUMENT SRIC118 REV A

DO NOT SCALE DRAWING

SCALE 4:1 CAGE CODE 3PJY7 SHEET 1 OF 1