

REVISIONS			
REV	DCN	REVISION DATE	RELEASE APPROVAL
-		5/11/2017	
	INIT RLSE		

STAINLESS STEEL COMPATIBLE LASER WELDABLE DOUBLE-ENDED USB 3.0 CONNECTOR

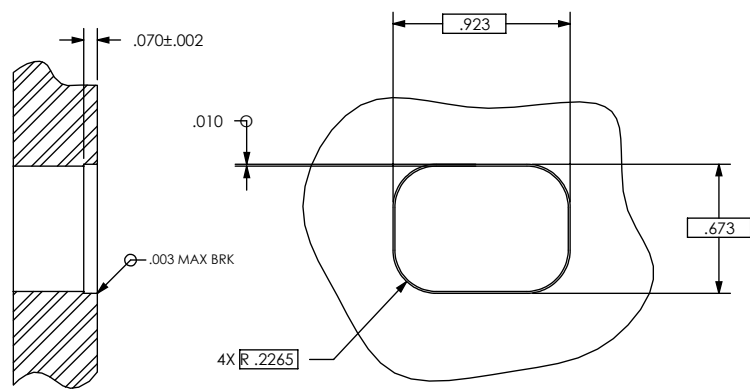
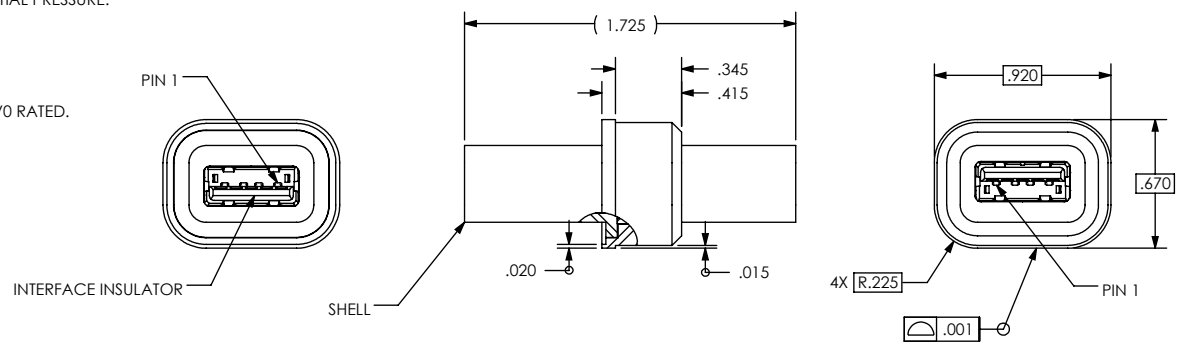
- DOUBLE-ENDED (STANDARD FEMALE RECEPTACLE/STANDARD FEMALE RECEPTACLE) CONFIGURATION WITH THE WELD INTERFACE AT THE MID-SECTION
- DESIGNED TO LASER WELD INTO AN ELECTRONIC CHASSIS WALL OR FLANGE
- INTERFACES CONFORM TO UNIVERSAL SERIAL BUS SPECIFICATION REVISION 3.1, SERIES A RECEPTACLE.
- INCORPORATES BERYLLIUM-COPPER CONTACTS INDIVIDUALLY SEALED USING CERAMAX® PROPRIETARY CERAMIC TO ESTABLISH A DURABLE HERMETIC SEAL.

1. LEAK RATE: LESS THAN OR EQUAL TO 2X10E-10 CC/SEC He AT ONE ATMOSPHERE DIFFERENTIAL PRESSURE. TEST TO 1X10E-9 CC/SEC He AT ONE ATMOSPHERE DIFFERENTIAL PRESSURE.

2. MATERIALS:
 CONTACTS: BERYLLIUM-COPPER ALLOY 172/173 IN ACCORDANCE WITH ASTM B196/197.
 DIELECTRIC: CERAMAX PROPRIETARY CERAMIC.
 SHELL: STAINLESS STEEL ALLOY 304L IN ACCORDANCE WITH SAE AMS-QQ-S-763.
 INTERFACE INSULATOR: 30% GLASS FILLED POLYBUTYLENE TEREPHTHALATE, MINIMUM UL94-V0 RATED.

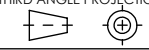
3. FINISH:
 CONTACTS: NICKEL AND GOLD PLATED.
 SHELL: PASSIVATED.

4. ORDERING INSTRUCTIONS:
 ORDER PART NUMBER SRIUSB103-1



HOLE DETAIL

DIMENSIONING IAW ASME Y14.5M-1994
 DIMENSIONS APPLY AFTER PROCESSES
 DIMENSIONS IAW US CUSTOMARY UNITS
 X±.1, XX±.01, XXX±.005, ∠ ±.5°
 .010 MAX OUTSIDE R, .005 MAX INSIDE R
 63 RMS SURFACE FINISH
 THIRD ANGLE PROJECTION



DO NOT SCALE DRAWING



(321) 254-4067
www.srihermetics.com

TITLE CONNECTOR, USB 3.0, A RCPT/A RCPT, SC LBW

SIZE	DOCUMENT	SRIUSB103	REV
A			-
SCALE	1:1	CAGE CODE	3PJY7
		SHEET	1 OF 1